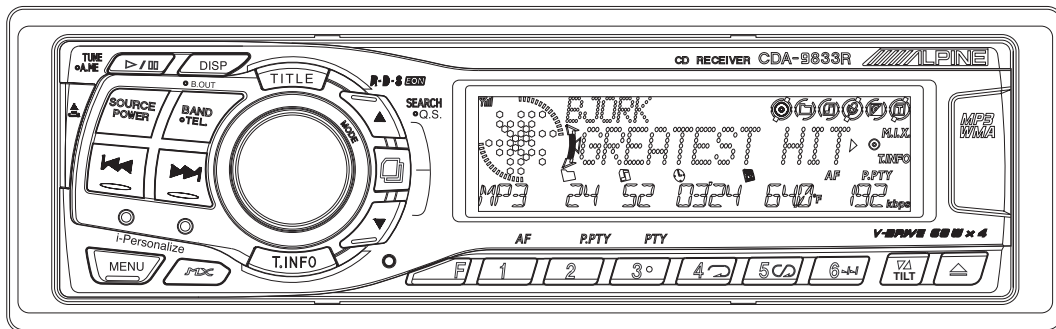


ALPINE SERVICE MANUAL

FM/MW/LW/RDS CD Receiver

MLX MP3



3 / 04-A
68E36339S01



CDA-9833R

<Cautions for Safe Repair Work>



The following cautions will prevent accidents in the workplace and will ensure safe products.

*The symbols indicate caution is needed to prevent injuries and damage to property.



The symbols and their meanings follow.

 Warning	If you ignore this symbol and handle the product incorrectly or unsafely, serious injury or death may result.
 Caution	If you ignore this symbol and handle the product incorrectly or unsafely, injury or only material damage may result.



*The following symbols indicate two levels of cautions.



 When you see this symbol, you have to be very careful.	
 When you see this symbol, you have to follow the instructions there.	



Warning

 Do not look squarely into the laser light coming from the pickup. You may lose your sight.	 Fuse Caution Always use a designated fuse. Use of an incorrect fuse may result in a fire.
--	--

Caution

 Do not allow wiring to be caught in the screw/chassis. If wiring is caught in the screw/chassis, it may cause a short circuit, resulting in a fire.	 Battery Caution Use the designated battery. Confirm the correct polarity and seat of the battery. An incorrect battery or an improperly connected or seated battery may result in a fire.
---	---

 High Temperature Caution Touching the heat sink may cause severe burns.	 Designated Parts Caution Look up the part list and ensure that only designated parts are used to prevent problems or accidents.
---	---

 Reverse Power Supply Connections or Misconnections Caution Reverse power supply connections or misconnections may cause ignition problems and smoke may result.	 Wiring Caution Ensure that the wiring is correct when rewiring to prevent problems with ignition/breakdown.
---	---

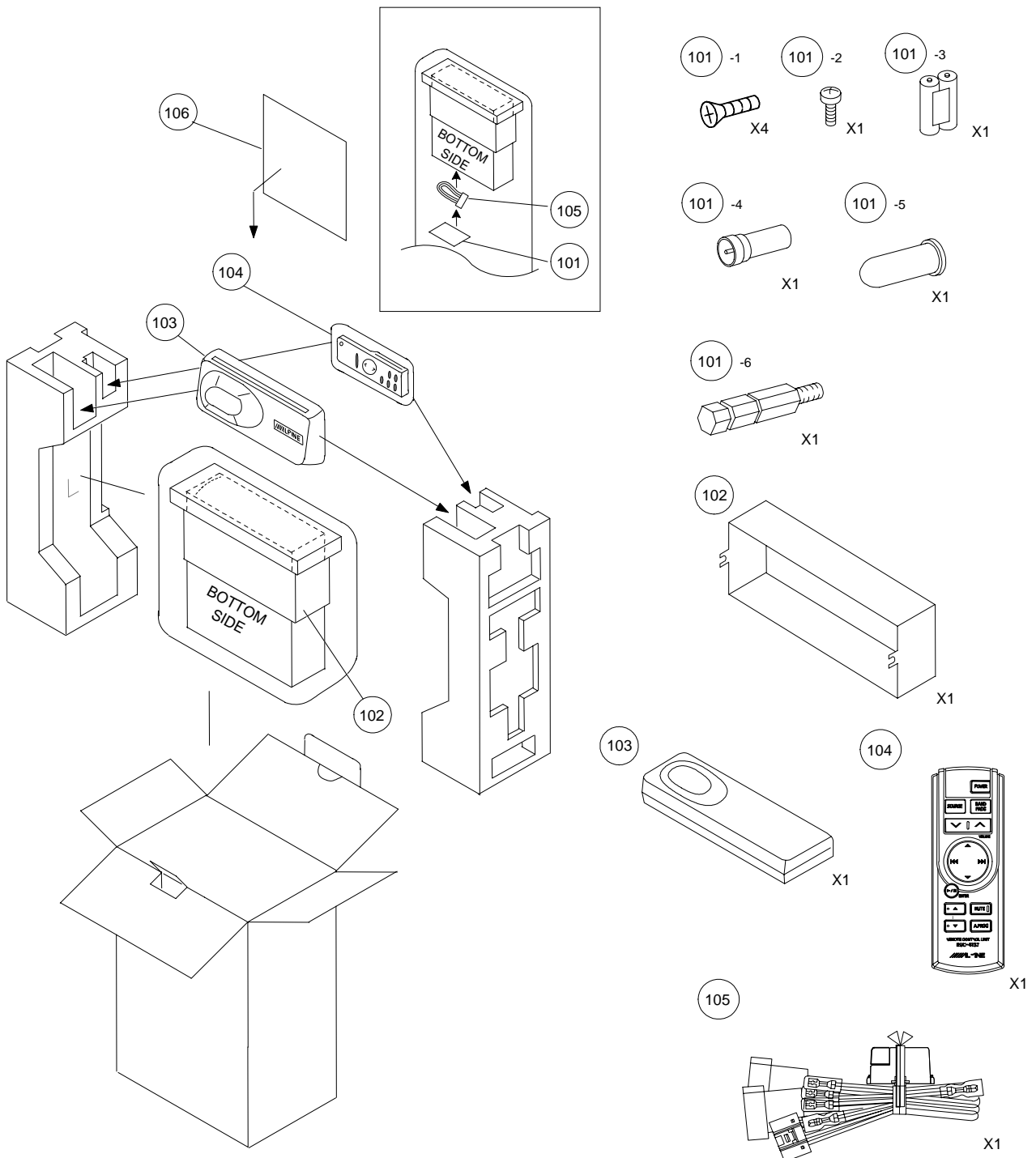
 Soldering Caution Hot solder from solder splash may cause severe burns.	 Wear Gloves Wear gloves to prevent electrical shocks or injury from the end face of the metal.
---	--

Packing Assembly Parts List

Symbol No.	Part No.	Description
101-1	03S60820Y16	SCR,MCH 5X8 ZN A
101-2	03S60824Y01	SCR,WEV 1.7X4 ZN A
101-3	60T55630W01	BAT,MGN R03(NB)UM-4
101-4	01T04296K01	ISO/JASO ANT ADAPTER
101-5	36A02449K01	CAP,RUBBER(A)
101-6	03A60836Y01	SCR,CUS 5X7 ZN A

Symbol No.	Part No.	Description
102	15D00529K02	CASE,INNER
103	15D01798K03	CARRYING,CASE
104	01T45518Y04	ASSY,REMOCON RUE4187
105	01T65572Y03	ASSY,WIRE-ISO-M9835R
106	68P04190K10	O/M A OEU A ODL

Packing Method View



Specifications

<FM RADIO>

Intermediate Frequency	10.7±0.1MHz
Frequency Range	87.5 to 108.0MHz
Usable Sensitivity (30 S/N, Mono, at 98.1MHz)	20.2dBf
-3dB Limiting Sensitivity (at 98.1MHz)	23.2dBf
Residual Noise (Ref. 400Hz, at 98.1MHz)	28±10dB
S/N Ratio (at 98.1MHz)	Stereo : 55dB Mono : 58dB
Image Rejection (at 106.1MHz)	40dB
IF Rejection (at 90.1MHz)	60dB
Distortion (Input 60dBu, at 98.1MHz)	1.0%
Frequency Response (Ref. 400Hz, at 98.1MHz)	100Hz : 0±3dB 10kHz : -10±3dB
Stereo Separation (1kHz, at 98.1MHz)	20dB
PS Sensitivity (at 98.1MHz)	36.2dBf

<MW RADIO>

Intermediate Frequency	1st : 10.7MHz 2nd : 450kHz
Frequency Range	531 to 1,602kHz
Usable Sensitivity (20dB S/N, at 999kHz)	36dB
S/N Ratio (at 999kHz)	44dB
Image Rejection (at 1,404kHz)	50dB
IF Rejection (at 603kHz)	60dB
Distortion (at 999kHz)	1.5%
Frequency Response (Ref. 400Hz, at 999kHz)	100Hz : -3±4dB 2.5kHz : -3+4, -6dB

<LW RADIO>

Intermediate Frequency	1st : 10.7MHz 2nd : 450kHz
Frequency Range	153 to 281kHz
Usable Sensitivity (20dB S/N, at 216kHz)	42dB
S/N Ratio (at 216kHz)	44dB
Image Rejection (at 270kHz)	50dB
IF Rejection (at 162kHz)	60dB
Distortion (at 216kHz)	1.5%
Frequency Response (Ref. 400Hz, at 216kHz)	100Hz : -3±4dB 2.5kHz : -3+4, -6dB

<CD SECTION>

System	Optical (Compact Disc System)
Channel Balance (1kHz)	CD : TCD-782 : 0±3dB MP3 : SCD-5100 (FOLDER4-128kbps) : 0±3dB WMA : SCD-5100 (FOLDER10-128kbps) : 0±3dB

CDA-9833R

Distortion (1kHz) CD : TCD-782 : 0.1%
MP3 : SCD-5100 (FOLDER4-128kbps) : 0.1%
WMA : SCD-5100 (FOLDER10-128kbps) : 0.1%

Frequency Response (Ref. 1kHz) CD : TCD-782 : 17Hz : 0±3dB
127Hz : 0±2dB
10.007kHz : 0±2dB
19.997kHz : -2±4dB
MP3 : SCD-5100 (FOLDER4-128kbps) : 17Hz : 0±3dB
127Hz : 0±2dB
10.007kHz : 0±2dB
19.997kHz : -2±4dB
WMA : SCD-5100 (FOLDER10-128kbps) : 17Hz : 0±3dB
127Hz : 0±2dB
10.007kHz : 0±2dB
19.997kHz : -2±4dB

S/N Ratio CD : TCD-782 : 95dB
MP3 : SCD-5100 (FOLDER4-128kbps) : 95dB
WMA : SCD-5100 (FOLDER10-128kbps) : 95dB

Separation CD : TCD-782 : 65dB
MP3 : SCD-5100 (FOLDER4-128kbps) : 65dB
WMA : SCD-5100 (FOLDER10-128kbps) : 65dB

De-Emphasis (Ref. 1kHz) CD : TCD-782 : 4kHz : -20±3dB
16kHz : -20±3dB

<Pickup>

Wave Length 795nm
Laser Power CLASS I

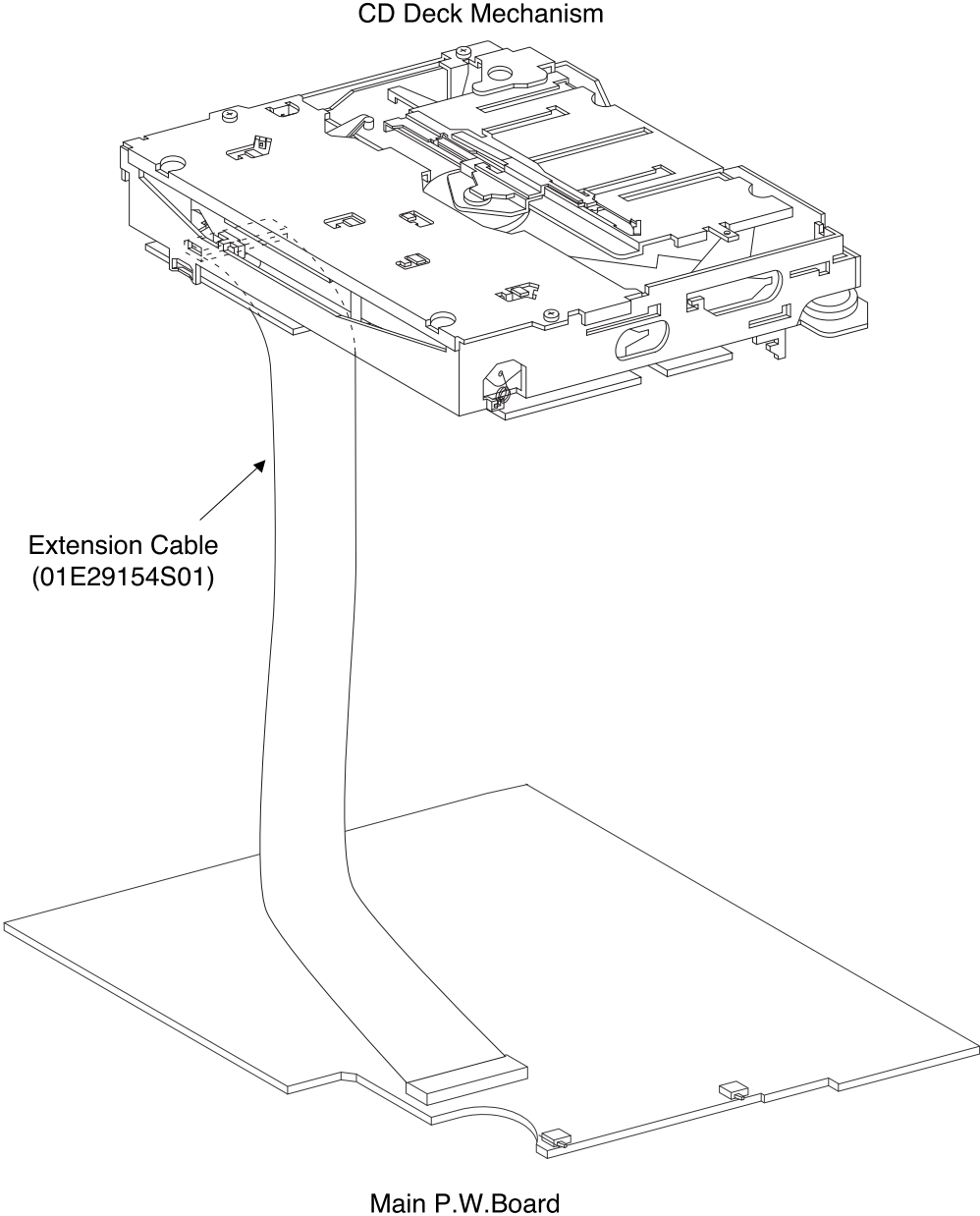
<GENERAL>

Power Supply DC14.4V
Power Output (Ref. TCD-782(1KHz, 0dB), T.H.D. 10%) /Impedance 25W/ch/4ohm
Pre Output (Ref. TCD-782(1KHz, 0dB), T.H.D. 1%) /Impedance 4V±2.5dBV/ch/10kohm
Dimensions (W x H x D) Chassis : 178 x 50 x 160mm
Nose : 188 x 58 x 24mm
Weight 1.6kg

NOTE : Due to Continuing product improvement, specifications and designs are subject to change without notice.

Extension Cable

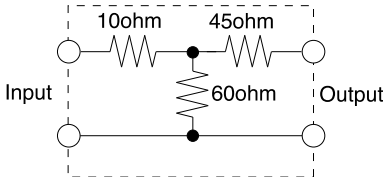
* When repairing or measuring the voltage of this unit, connect with the Extension Cable as shown in below.



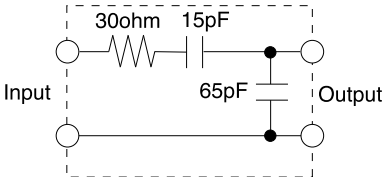
Adjustment Procedures

1. FM/MW/LW SECTION

(1) Dummy Antenna Circuit



For 50 ohm FM Signal Generator Figure 1



For 50 ohm MW/LW Signal Generator Figure 2

(2) Connections

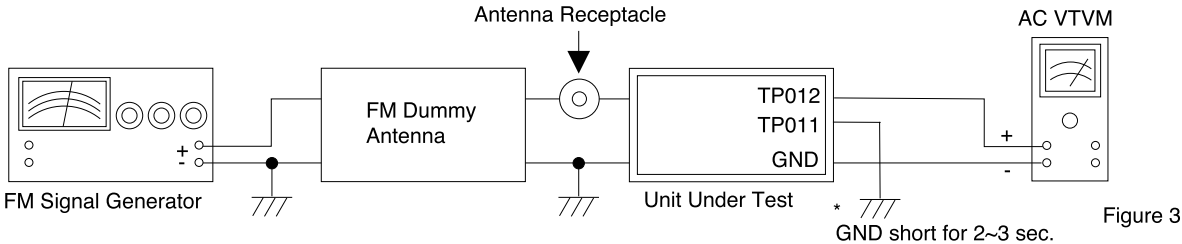


Figure 3

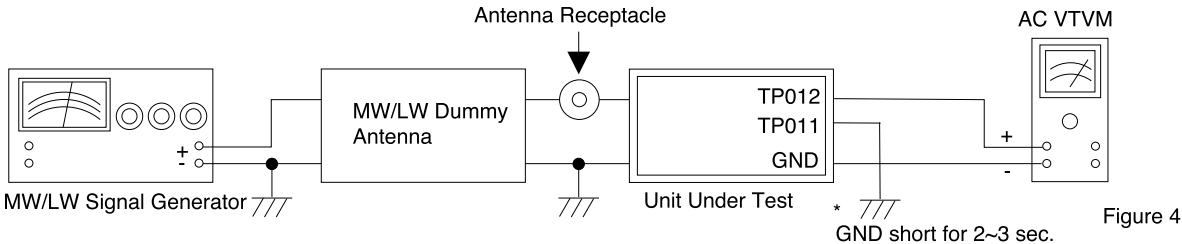


Figure 4

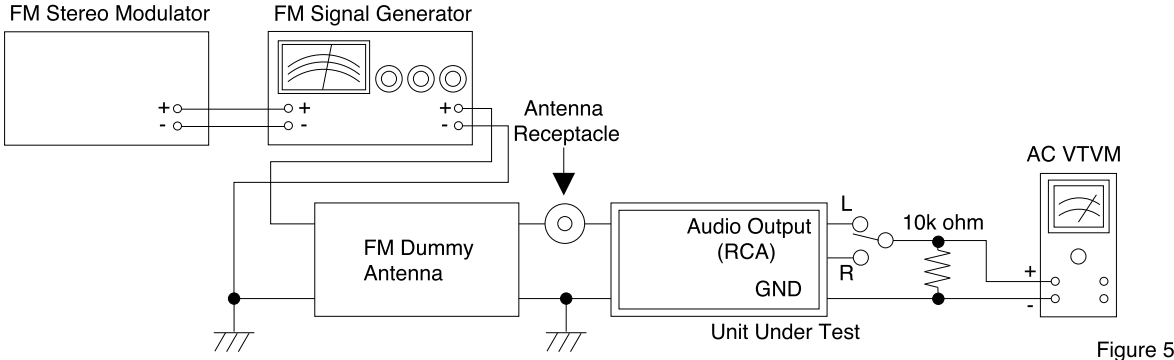


Figure 5

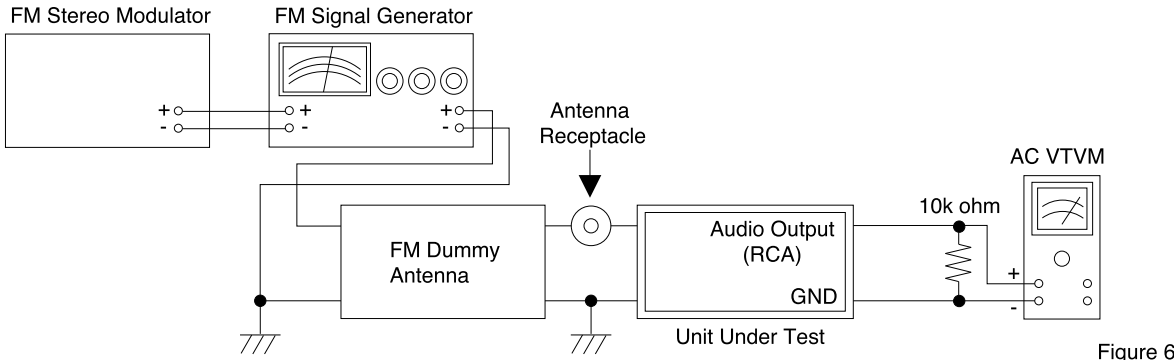


Figure 6

(3) Control Settings

Power Switch ON Band Switch FM/MW/LW
 Fader Control Center Position T-CORR Non Effect
 Balance Control Center Position EQ FLAT
 Treble Control Center Position DEMO OFF
 Bass Control Center Position Others OFF
 MX Non Effect

(4) Adjustment Procedures

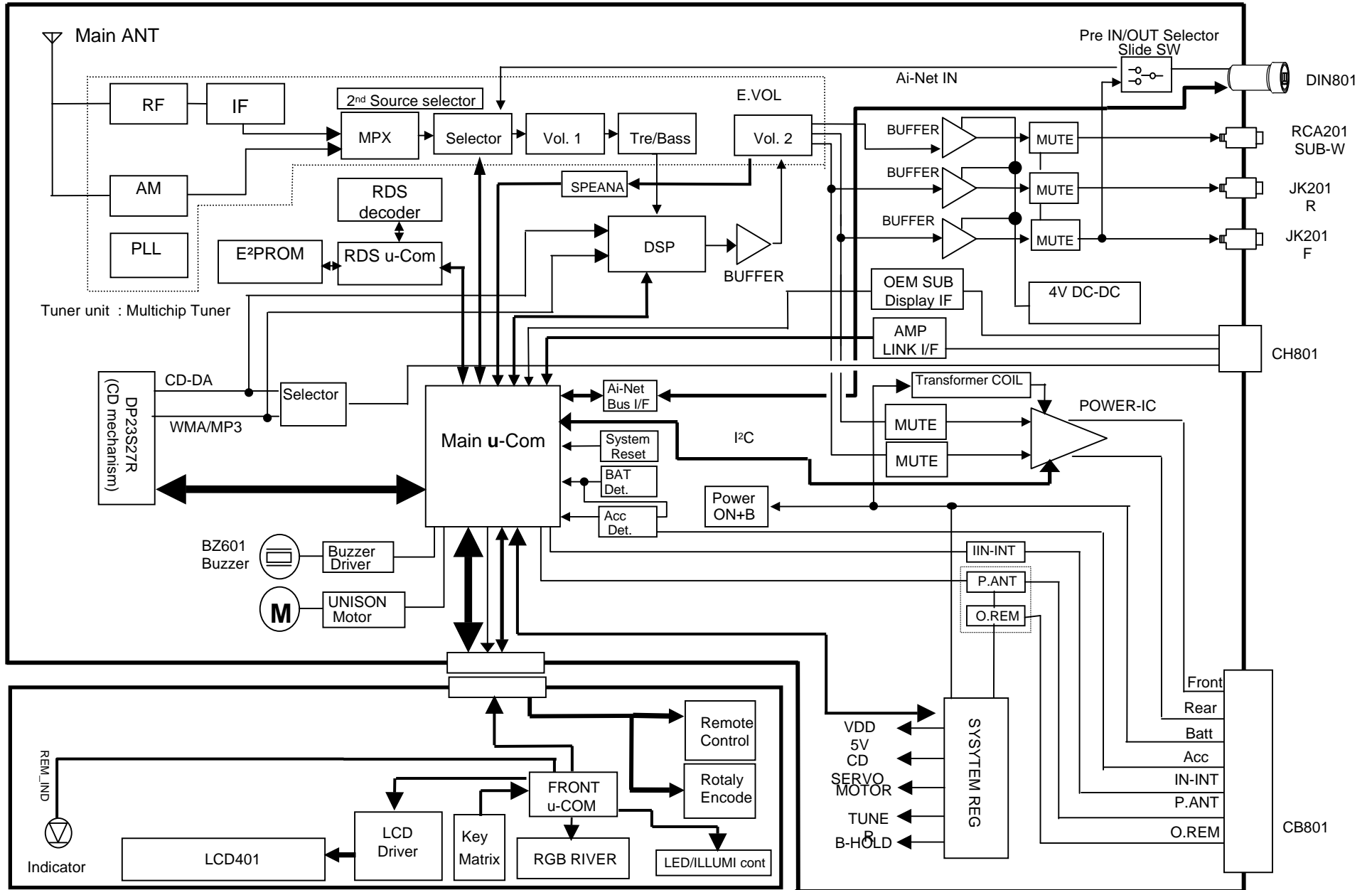
Step	Description	Connection	Signal Generator	Dial Control	Test Point / P.W.Board Coordinates	Adjustment
1	Signal Meter Auto Adjustment (FM)	Figure 3	(1) 87.5MHz , 26dBμ (Mod. OFF)	87.5MHz	TP012 (3-F) TP011 (3-F)	Auto Adjustment : After setting up of Signal Generator, short GND and TP011 (Pull-Down) for 2~3 seconds
			(2) 87.5MHz , 26dBμ (Mod. OFF)	87.5MHz	TP012 (3-F) TP011 (3-F)	Proceed same Auto Adjustment of step (1) under step (2) (SPEC) TP012 : 1.5±0.1V → OK (SPEC) TP012 : others 1.5±0.1V → NG NOTE : NG : Proceed same Auto Adjustment of step (1) under step (3)
			(3) 87.5MHz , 21~23dBμ (Mod. OFF)	87.5MHz	TP012 (3-F) TP011 (3-F)	Proceed same Auto Adjustment of step (1) under step (3)
			(4) 87.5MHz , 26dBμ (Mod. OFF)	87.5MHz	TP012 (3-F) TP011 (3-F)	Proceed same Auto Adjustment of step (1) under step (4)
2	Signal Meter Auto Adjustment (MW)	Figure 4	(1) 999kHz , 34dBμ (Mod. OFF)	999kHz	TP012 (3-F) TP011 (3-F)	Auto Adjustment : After setting up of Signal Generator, short GND and TP011 (Pull-Down) for 2~3 seconds
			(2) 999kHz , 34dBμ (Mod. OFF)	999kHz	TP012 (3-F) TP011 (3-F)	Proceed same Auto Adjustment of step (1) under step (2) (SPEC) TP012 : 1.0±0.1V → OK (SPEC) TP012 : others 1.0±0.1V → NG NOTE : NG : Proceed same Auto Adjustment of step (1) under step (3)
			(3) 999kHz , 29~31dBμ (Mod. OFF)	999kHz	TP012 (3-F) TP011 (3-F)	Proceed same Auto Adjustment of step (1) under step (3)
			(4) 999kHz , 34dBμ (Mod. OFF)	999kHz	TP012 (3-F) TP011 (3-F)	Proceed same Auto Adjustment of step (1) under step (4)

Step	Description	Connection	Signal Generator	Dial Control	Test Point / P.W.Board Coordinates	Adjustment	
3	Signal Meter Auto Adjustment (LW)	Figure 4	(1)	216kHz , 34dB μ . (Mod. OFF).	216kHz	TP012 (3-F) TP011 (3-F)	Auto Adjustment : After setting up of Signal Generator , short GND and TP011 (Pull-Down) . for 2~3 seconds.
			(2)	216kHz , 34dB μ . (Mod. OFF).	216kHz	TP012 (3-F) TP011 (3-F)	Proceed same Auto Adjustment of step . (1) under step (2). (SPEC) TP012 : 1.0 \pm 0.1V \rightarrow OK (SPEC) TP012 : others 1.0 \pm 0.1V \rightarrow NG. NOTE : NG : Proceed same Auto Adjustment of step (1) under step (3).
			(3)	216kHz , 29~31dB μ . (Mod. OFF).	216kHz	TP012 (3-F) TP011 (3-F)	Proceed same Auto Adjustment of step . (1) under step (3).
			(4)	216kHz , 34dB μ . (Mod. OFF).	216kHz	TP012 (3-F) TP011 (3-F)	Proceed same Auto Adjustment of step . (1) under step (4).
4	FM ST Separation (Roll OFF) Adjustment	Figure 5	(1)	—	—	—	Set up of Adjustment Mode : Push [SOURCE/POWER] + [3] at the same time.
			(2)	98.1MHz, 72dB μ (Mod. 400Hz, Dev. 75kHz, Stereo, 1kHz, Lch only)	98.1MHz	Audio Output (RCA)	Push Preset Switches (1~5), and observe value of separation. Select Preset Switch of maximum separation. (SPEC) : separation : more than 25dB.
			(3)	—	—	—	Cancel Adjustment Mode : Push [SOURCE/POWER] + [3] at the same time.
5	Stereo Blend Adjustment (Lch)	Figure 5	(1)	—	—	—	Set up of Adjustment Mode : Push [SOURCE/POWER] + [F] at the same time.
			(2)	98.1MHz, 46dB μ (Mod. 400Hz, Dev. 75kHz, Stereo, 1kHz, Lch only)	98.1MHz	Audio Output (RCA)	Push Preset Switches (1~6), and observe value of blend. (SPEC) : Blend : 8 \pm 6dB.
			(3)	—	—	—	Cancel Adjustment Mode : Push [SOURCE/POWER] + [F] at the same time.
6	Limiting Adjustment	Figure 6	(1)	—	—	—	Set up of Adjustment Mode : Push [SOURCE/POWER] + [UP] at the same time.
			(2)	98.1MHz, 24dB μ (Mod. 400Hz, Dev. 75kHz)	98.1MHz	Audio Output (RCA)	Push Preset Switches (1~5), and observe value of limiting. (SPEC) : Limiting : -3dB.
			(3)	—	—	—	Cancel Adjustment Mode : Push [SOURCE/POWER] + [UP] at the same time.

Step	Description	Connection	Signal Generator	Dial Control	Test Point / P.W.Board Coordinates	Adjustment	
7	Noise Level Adjustment	Figure 6	(1)	—	—	—	Set up of Adjustment Mode : Push [SOURCE/POWER] + [UP] at the same time
			(2)	98.1MHz, .72 --> -20dBμ. (Mod. OFF).	98.1MHz	Audio Output (RCA)	Rotary encoder is turned and noise level is adjustment (SPEC) : Noise Level : 33±10dB
			(3)	—	—	—	Cancel Adjustment Mode : Push [SOURCE/POWER] + [UP] at the same time

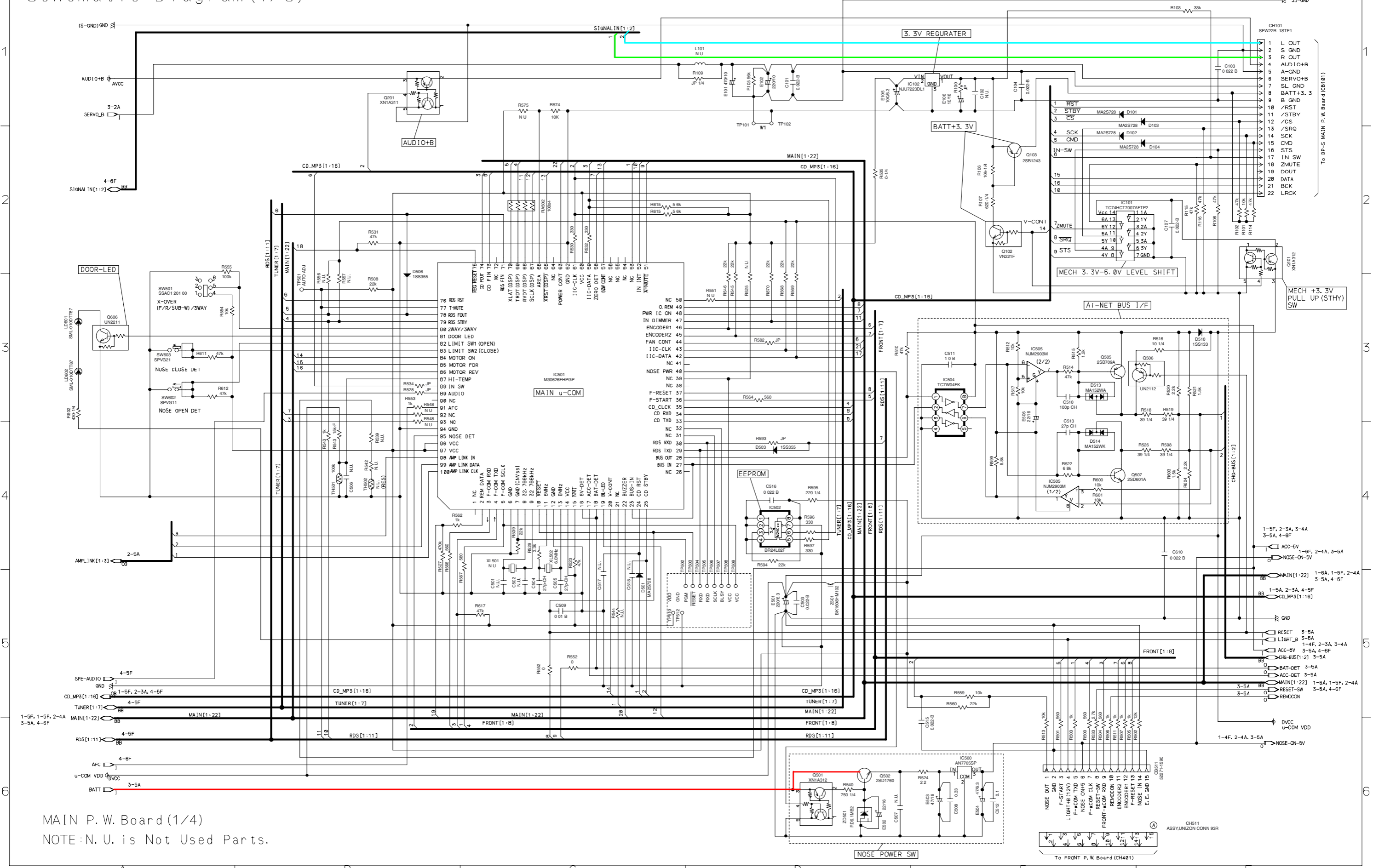
Block Diagram

CDA-9833R

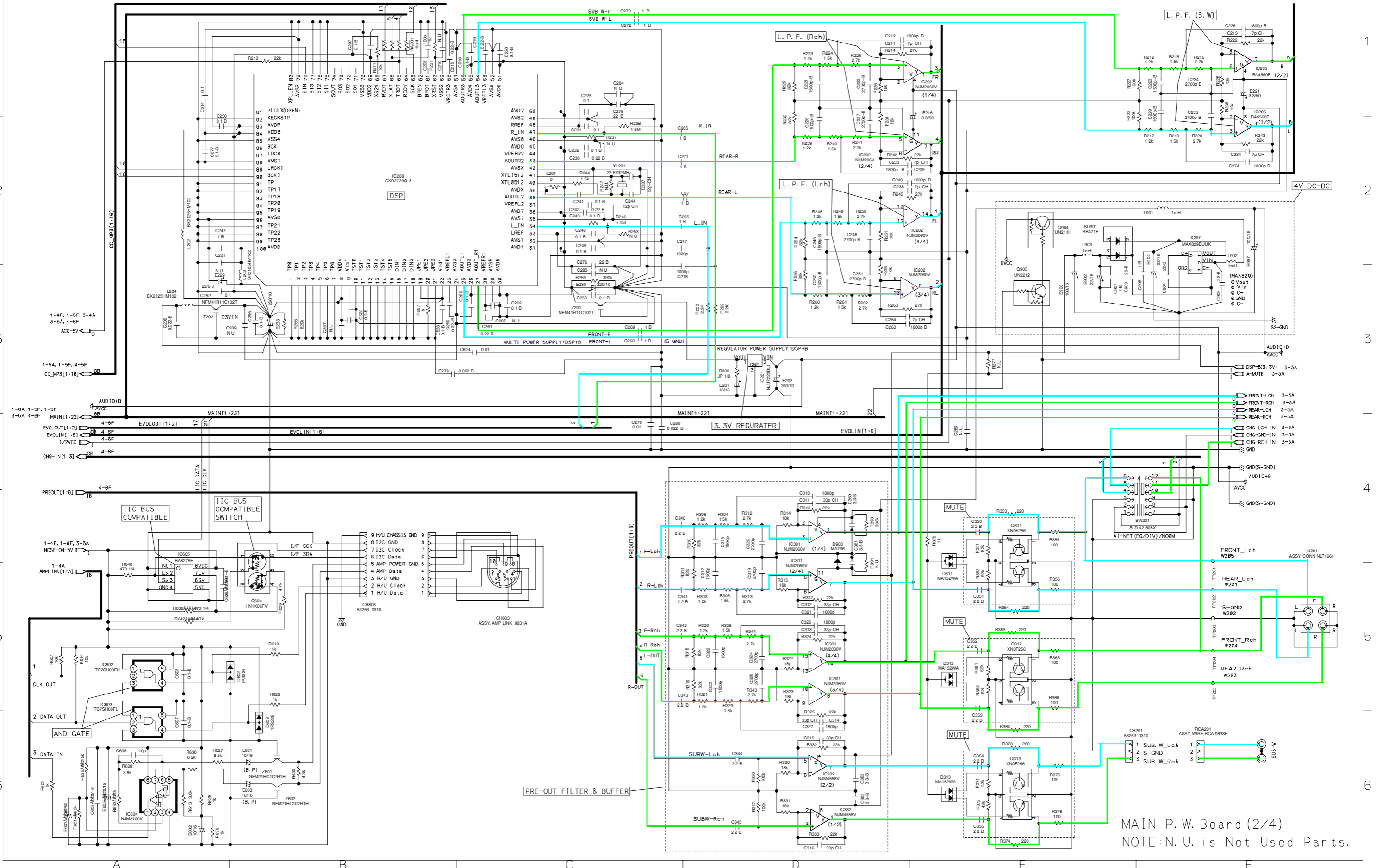


Schematic Diagram (1/8)

CDA-9833R



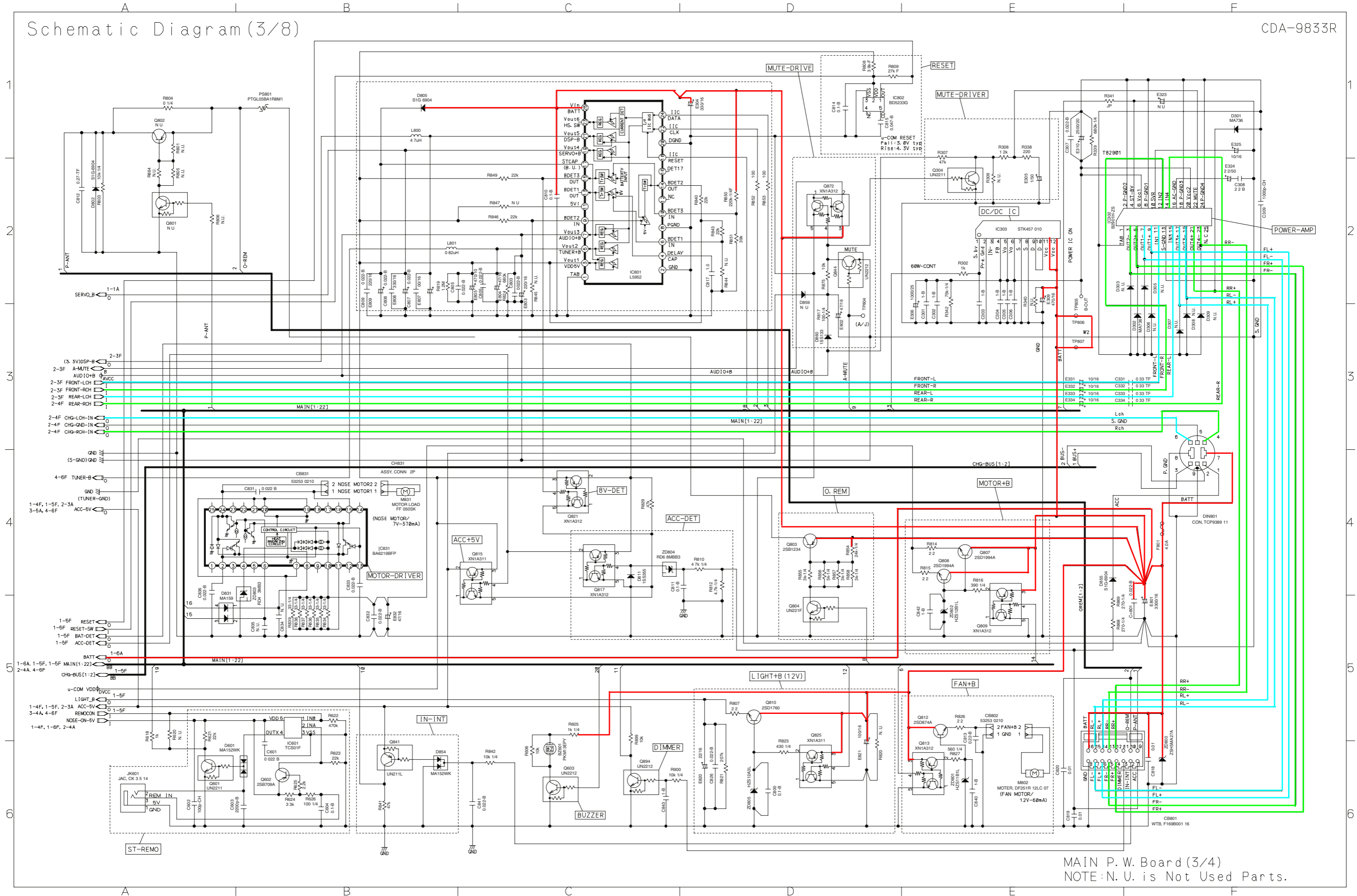
MAIN P.W. Board (1/4)
 NOTE: N. U. is Not Used Parts.



MAIN P. W. Board (2/4)
 NOTE: N. U. is Not Used Parts.

Schematic Diagram (3/8)

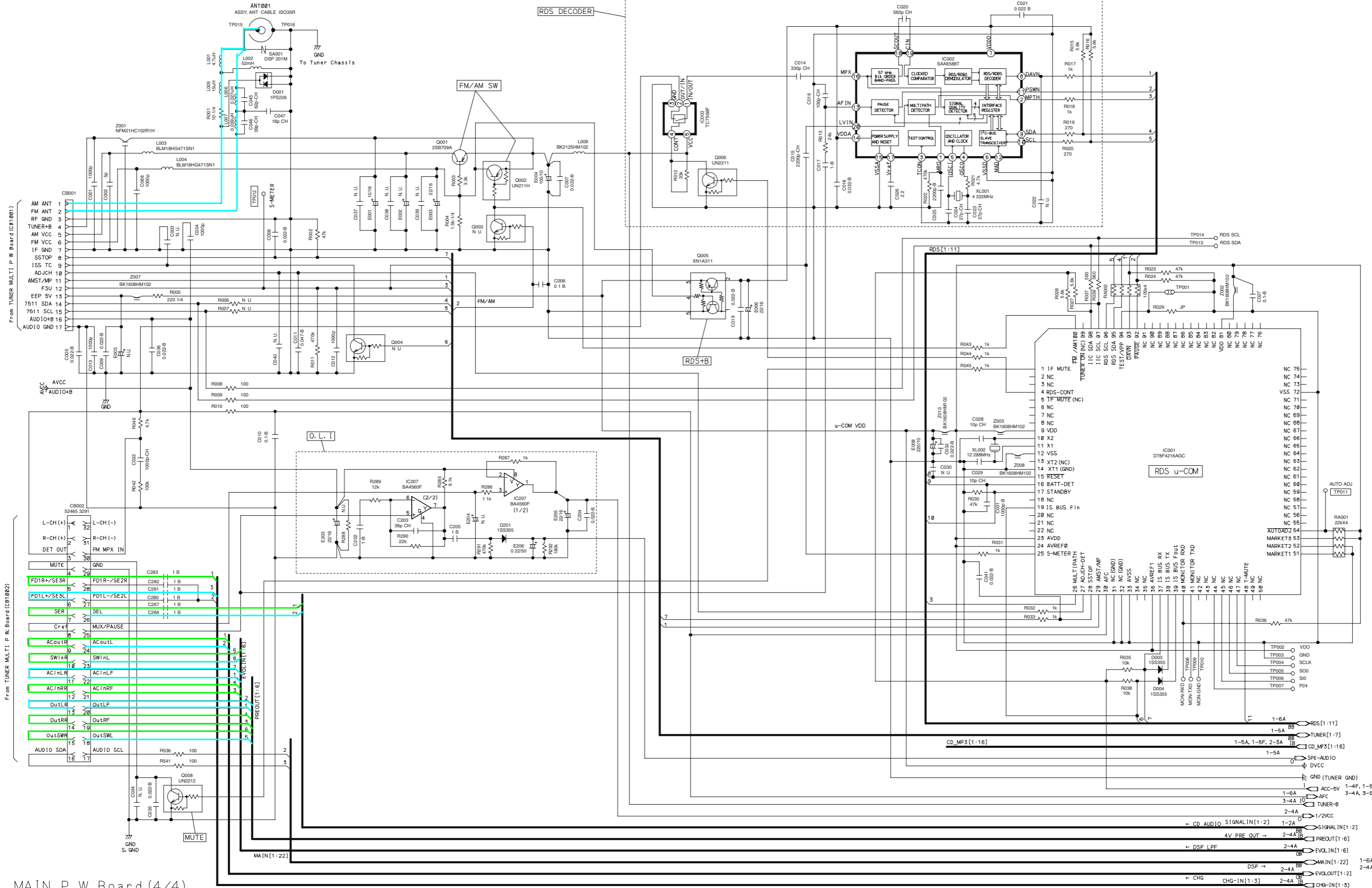
CDA-9833R



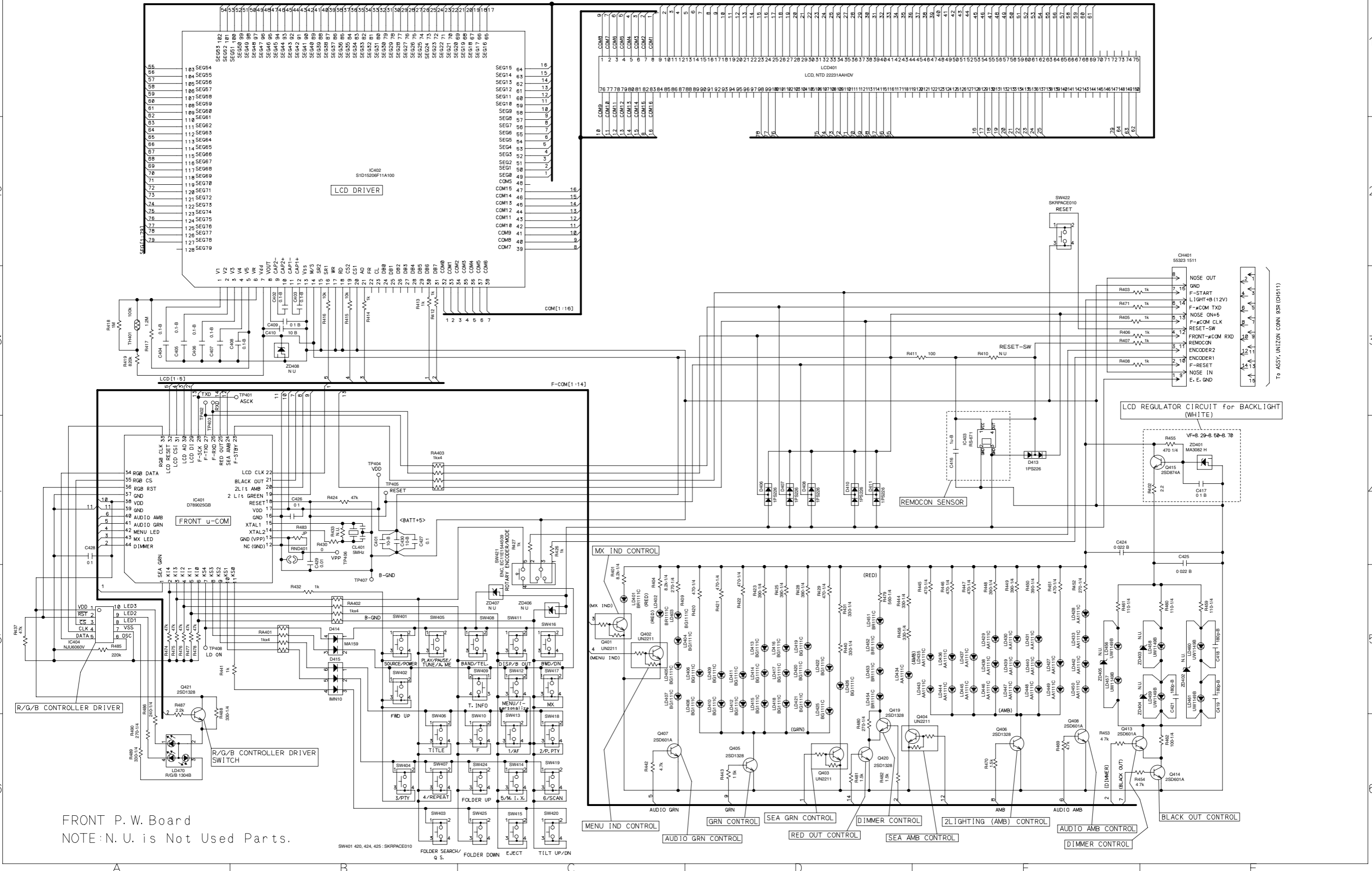
MAIN P. W. Board (3/4)
NOTE: N. U. is Not Used Parts.

Schematic Diagram (4/8)

CDA-9833R



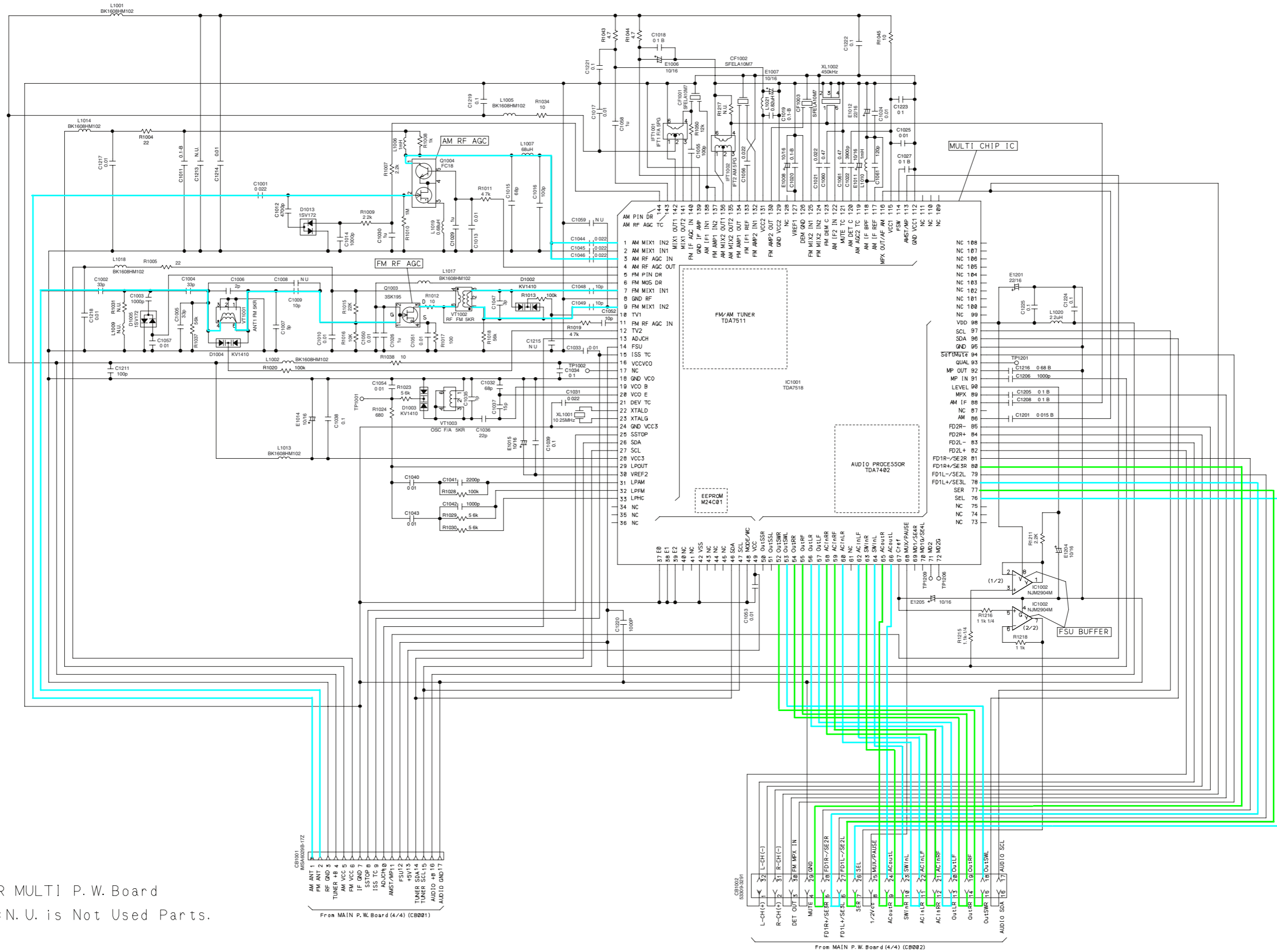
MAIN P. W. Board (4/4)
 NOTE: N. U. is Not Used Parts.



FRONT P.W. Board
NOTE: N. U. is Not Used Parts.

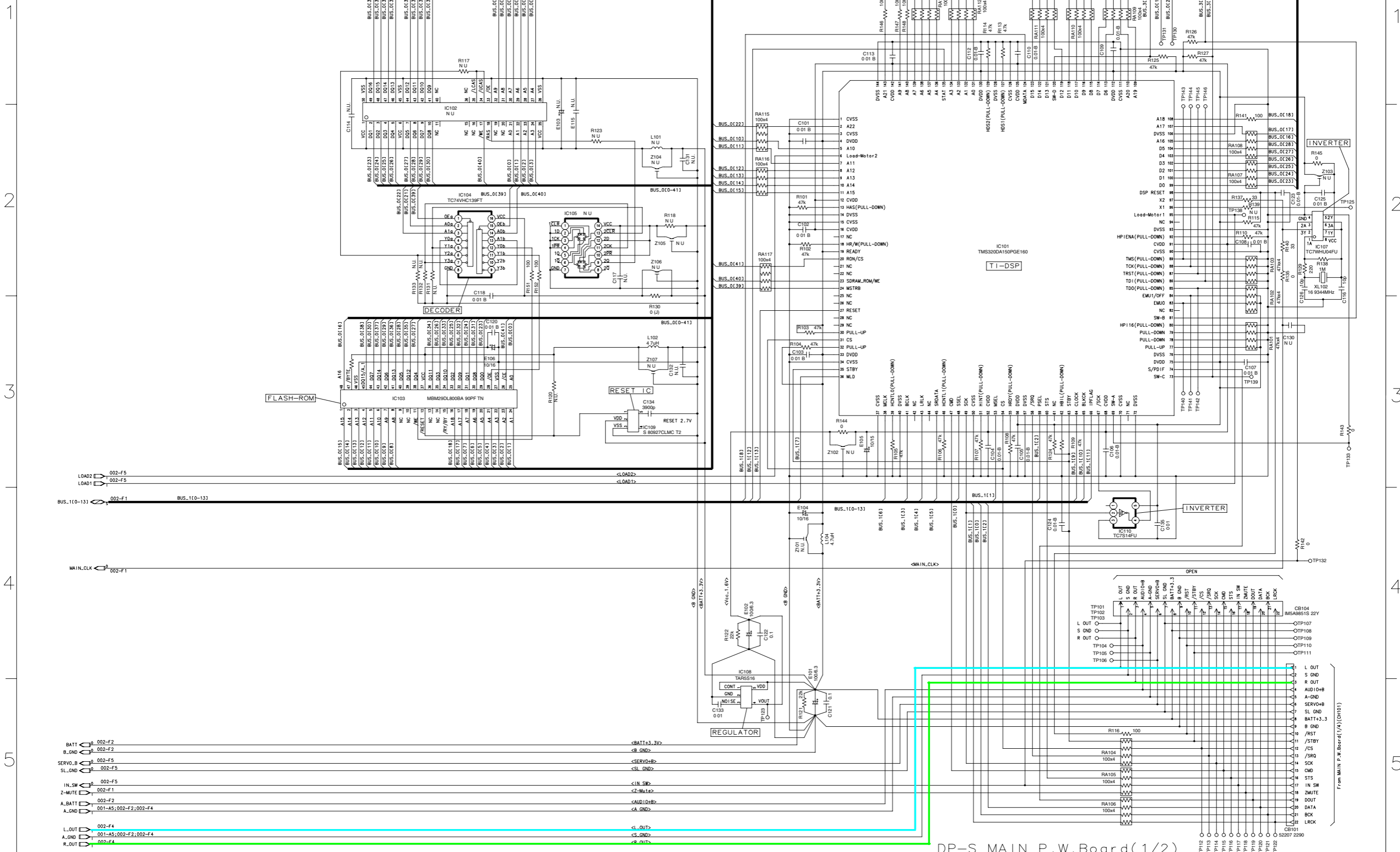
Schematic Diagram (6/8)

CDA-9833R

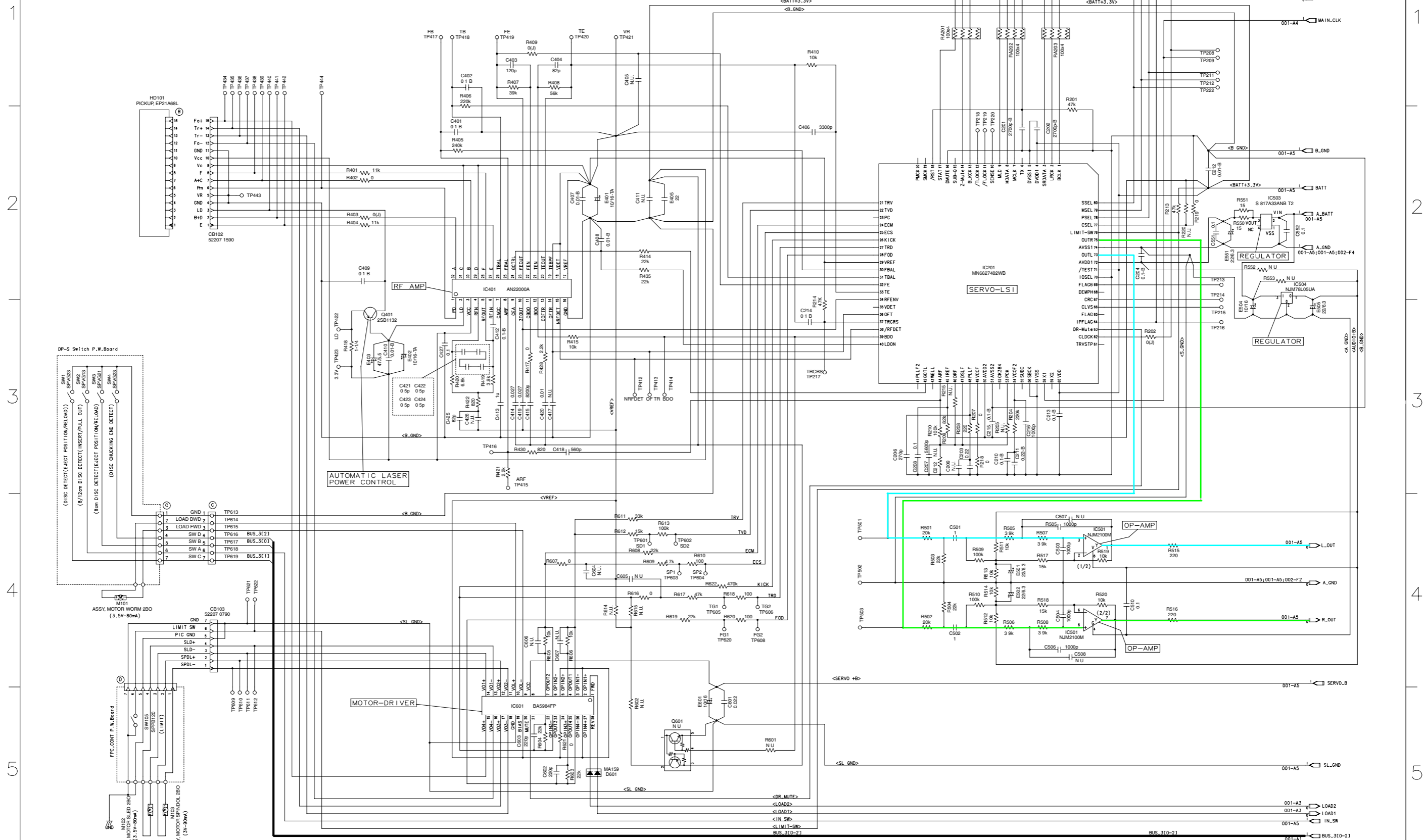


TUNER MULT! P.W. Board
NOTE: N. U. is Not Used Parts.

回路図(7/8)



DP-S MAIN P.W.Board(1/2)
 注)回路図中のN.U.部品は未使用。



DP-S MAIN P.W. Board(2/2)
注)回路図中のN.U.部品は未使用。

Terminal Voltage of IC/TR

IC001					
1	0		51	0	
2	NC		52	0	
3	NC		53	4.95	
4	0		54	4.95	
5	4.96		55	NC	
6	NC		56	NC	
7	NC		57	NC	
8	NC		58	NC	
9	4.95		59	NC	
10	PS		60	NC	
11	PS		61	NC	
12	0		62	NC	
13	4.94		63	NC	
14	0		64	NC	
15	4.95		65	NC	
16	4.94		66	NC	
17	4.85		67	NC	
18	NC		68	NC	
19	PS		69	NC	
20	NC		70	NC	
21	NC		71	NC	
22	NC		72	0	
23	4.96		73	NC	
24	4.96		74	NC	
25	4.37		75	NC	
26	0.12		76	NC	
27	0.13		77	NC	
28	PS		78	NC	
29	0		79	NC	
30	3.1		80	NC	
31	NC		81	4.96	
32	NC		82	NC	
33	0		83	NC	
34	NC		84	NC	
35	NC		85	NC	
36	4.96		86	NC	
37	PS		87	NC	
38	PS		88	NC	
39	PS		89	NC	
40	4.94		90	NC	
41	4.96		91	NC	
42	NC		92	4.82/0	FM/Others
43	NC		93	PS	
44	NC		94	0	
45	NC		95	PS/0	FM/MW
46	NC		96	PS/0	FM/MW
47	NC		97	PS	
48	4.96/0	Others/T-MUTE	98	PS	
49	NC		99	0	
50	NC		100	0.12/8.1	FM/MW

IC002			
1	0.1	11	4.82
2	0.11	12	0
3	0	13	2.43
4	PS	14	4.83
5	PS	15	0
6	0	16	2.42
7	4.83	17	2.43
8	PS	18	2.43
9	PS	19	2.4
10	PS	20	2.4

IC003	
1	3.13
2	3.13
3	0
4	8.1
5	8.12

IC101			
1	0	8	PS
2	0	9	PS
3	0	10	PS
4	0	11	PS
5	0	12	0
6	0	13	0
7	0	14	4.78

IC102	
1	3.3
2	4.9
3	0

IC201	
1	3.3
2	8.39
3	0

NOTE : CD Mode

IC202			
1	PS	8	PS
2	PS	9	PS
3	PS	10	PS
4	8.39	11	0
5	PS	12	PS
6	PS	13	PS
7	PS	14	PS

IC205			
1	PS	5	PS
2	PS	6	PS
3	PS	7	PS
4	0	8	8.4

IC207			
1	4.15	5	PS
2	4.15	6	PS
3	4.15	7	PS
4	0	8	8.39

IC208-1						
1	0	12	0	23	0	
2	0	13	0	24	0	
3	0	14	0	25	1.64	
4	0	15	0	26	3.3	
5	0	16	0	27	1.65	
6	0	17	0	28	1.64	
7	0	18	0	29	0	
8	3.25	19	3.25	30	3.3	
9	0	20	0	31	3.3	
10	0	21	0	32	0	
11	0	22	3.27	33	1.61/0	TUNER/CD

IC208-2					
34	PS		68	3.23	
35	0		69	3.23	
36	3.3		70	0	
37	1.63		71	0	
38	PS		72	0	
39	3.3		73	0	
40	PS		74	0	
41	1.63		75	0	
42	0		76	0	
43	PS		77	0	
44	1.65		78	PS	
45	3.3		79	0	
46	0		80	0	
47	PS		81	0	
48	1.65/0	TUNER/CD	82	0	
49	0		83	3.22	
50	3.3		84	3.22	
51	3.3		85	0	
52	0		86	1.68	
53	1.63		87	1.66	
54	PS		88	0	
55	3.3		89	0/PS	TUNER/CD
56	PS		90	0/PS	TUNER/CD
57	0		91	0	
58	1.63		92	0	
59	0		93	0	
60	4.9/PS	Others/at pushing Key	94	0	
61	0		95	0	
62	0		96	0	
63	4.9/PS	Others/at pushing Key	97	0	
64	0.37		98	0	
65	4.9		99	0	
66	4.9/PS	Others/at pushing Key	100	3.23	
67	0/PS	Others/at pushing Key			

IC301			
1	PS	8	PS
2	PS	9	PS
3	PS	10	PS
4	8.36	11	-7.79
5	PS	12	PS
6	PS	13	PS
7	PS	14	PS

IC302			
1	0	14	PS
2	0	15	PS
3	PS	16	3.64
4	4.8	17	PS
5	PS	18	0
6	14.4	19	PS
7	PS	20	14.4
8	0	21	PS
9	PS	22	9.19
10	8.78	23	PS
11	PS	24	0
12	PS	25	14.4
13	0		

IC303		
1	0/4.9	Others/over than VOL=20 at CD,CHG
2	0	
3	NC	
4	14.4/16	Others/over than VOL=20 at CD,CHG
5	14.4/16	Others/over than VOL=20 at CD,CHG
6	14.4/16	Others/over than VOL=20 at CD,CHG
7	0	
8	0	
9	14.4	
10	14.4	
11	14.4	
12	14.4	

IC332			
1	PS	5	PS
2	PS	6	PS
3	PS	7	PS
4	-7.79	8	8.36

IC401					
1	4.94/0	SEA GRE ON/OFF	23	PS	
2	1.41		24	4.94/0	SEA AMB ON/OFF
3	1.4		25	4.87/0	RED OUT ON/OFF
4	1.4		26	PS	
5	1.39		27	PS	
6	1.4		28	PS	
7	0		29	PS	
8	0		30	PS	
9	0		31	PS	
10	0		32	4.96	
11	0		33	4.96	
12	0		34	4.96	
13	0		35	4.96	
14	PS		36	4.96	
15	2.6		37	0	
16	0		38	4.97	
17	4.97		39	0	
18	4.58		40	4.93/0	AUDIO AMB ON/OFF
19	4.89/0	2 LIT GREEN ON/OFF	41	4.93/0	AUDIO GREEN ON/OFF
20	4.89/0	2 LIT AMB ON/OFF	42	4.93/0	MENU LED ON/OFF
21	4.94		43	4.93/0	MX LED ON/OFF
22	PS		44	4.93	

IC402							
1	3.37	33	PS	65	PS	97	PS
2	1.77	34	PS	66	PS	98	PS
3	0.17	35	PS	67	PS	99	PS
4	-1.43	36	PS	68	PS	100	PS
5	-3.03	37	PS	69	PS	101	PS
6	1.99	38	PS	70	PS	102	PS
7	4.97	39	PS	71	PS	103	PS
8	-9.66	40	PS	72	PS	104	PS
9	-7.26	41	PS	73	PS	105	PS
10	2.5	42	PS	74	PS	106	PS
11	-2.4	43	PS	75	PS	107	PS
12	2.5	44	PS	76	PS	108	PS
13	0	45	PS	77	PS	109	PS
14	4.97	46	PS	78	PS	110	PS
15	0	47	PS	79	PS	111	PS
16	4.96	48	PS	80	PS	112	PS
17	0	49	PS	81	PS	113	PS
18	0	50	PS	82	PS	114	PS
19	PS	51	PS	83	PS	115	PS
20	0	52	PS	84	PS	116	PS
21	PS	53	PS	85	PS	117	PS
22	NC	54	PS	86	PS	118	PS
23	NC	55	PS	87	PS	119	PS
24	NC	56	PS	88	PS	120	PS
25	NC	57	PS	89	PS	121	PS
26	NC	58	PS	90	PS	122	PS
27	NC	59	PS	91	PS	123	PS
28	NC	60	PS	92	PS	124	PS
29	NC	61	PS	93	PS	125	PS
30	PS	62	PS	94	PS	126	PS
31	PS	63	PS	95	PS	127	PS
32	PS	64	PS	96	PS	128	PS

IC403	
1	4.58
2	0
3	0
4	4.82

IC404			
1	4.97	6	1.92
2	4.96	7	0
3	4.96	8	2.27
4	4.96	9	0
5	4.96	10	2.96

IC500	
1	8.6
2	0
3	4.97

IC501					
1	NC		51	4.9/0	Others/A-MUTE
2	PS		52	0/4.9	IN-INT OFF/ON
3	PS		53	NC	
4	PS		54	NC	
5	PS		55	NC	
6	0		56	NC	
7	0		57	0/4.9	60W CONT OFF/ON
8	PS		58	0/4.9	Others/ZERO MUTE
9	0.88		59	PS	
10	4.9		60	4.91	
11	PS		61	PS	
12	0		62	0	
13	PS		63	4.9	
14	4.9		64	NC	
15	4.9		65	4.9	
16	4.9		66	0	
17	4.9		67	4.9/PS	Others/at pushing Key
18	4.9		68	0/PS	Others/at pushing Key
19	4.88		69	4.9	
20	0/4.80	TUNER/CD	70	4.9/PS	Others/at pushing Key
21	NC		71	PS	
22	0/PS	Others/at pushing Key	72	NC	
23	4.85/PS	Others/at pushing Key	73	0/PS	TUNER/CD
24	0/4.85	TUNER/CD	74	0/PS	TUNER/CD
25	0/4.85	TUNER/CD	75	4.9	
26	NC		76	0	
27	4.85/PS	Others/CHG	77	4.95	
28	4.85/PS	Others/CHG	78	PS	
29	PS		79	4.95	
30	PS		80	0	
31	NC		81	0/4.9	DOOR LED OFF/ON
32	NC		82	0/4.80	Others/OPEN
33	0/PS	TUNER/CD	83	4.89	
34	0/PS	TUNER/CD	84	4.89	
35	0/PS	TUNER/CD	85	0/4.89	Others/ANGLE UP
36	PS		86	0/4.88	Others/ANGLE DOWN
37	4.9		87	4.13	
38	NC		88	3.3	
39	NC		89	0	
40	4.9		90	NC	
41	NC		91	3.05/0	TUNER/CD
42	PS		92	NC	
43	PS		93	NC	
44	0/4.9	FAN OFF/ON	94	0	
45	4.9		95	2.45	
46	4.9		96	4.91	
47	4.9/0	IN DIMMER OFF/ON	97	4.61	
48	4.90/0	PWR IC ON/OFF	98	4.91	
49	4.9		99	PS	
50	NC		100	PS	

IC502			
1	0	5	PS
2	0	6	PS
3	4.78	7	0
4	0	8	4.79

IC504			
1	PS	5	4.85
2	PS	6	PS
3	0	7	PS
4	0	8	4.85

IC505			
1	PS	5	2.42
2	PS	6	PS
3	PS	7	PS
4	0	8	4.85

IC601	
1	4.51
2	0
3	0
4	0
5	4.94

IC602	
1	4.97
2	PS
3	0
4	4.97
5	PS

IC603	
1	4.97
2	PS
3	0
4	4.97
5	PS

IC604			
1	4.97	5	2.48
2	1.82	6	PS
3	2.48	7	2.48
4	0	8	4.97

IC605			
1	0	5	0
2	PS	6	PS
3	PS	7	PS
4	0	8	4.96

IC801				
1	0		14	0
2	0		15	2.63
3	4.91		16	0.33
4	4.26		17	14
5	8.19/0	TUNER/CD	18	4.8
6	4.8		19	6.89
7	8.4		20	0
8	0		21	3.24
9	4.89		22	PS
10	2.23		23	14.4
11	0.3		24	PS
12	0		25	14.4
13	0			

IC802	
1	4.88
2	4.88
3	0
4	0
5	0

IC831					
1	0		14	0	
2	0/5.9	Others/ANGLE UP	15	4	Others/ANGLE UP
3	0		16	0	
4	0/4	Others/ANGLE UP	17	0	
5	0		18	0	
6	0/4.2	Others/ANGLE UP	19	0	
7	0		20	0	
8	0/4.2	Others/ANGLE UP	21	0	
9	0		22	0	
10	12.36		23	0	
11	12.36		24	0/4	Others/ANGLE UP
12	0		25	0	
13	0				

IC901	
1	-4.14
2	4.75
3	-2
4	0
5	2.53

IC1001-1					
1	0/2.38	FM/AM	30	2.54	
2	0/2.38	FM/AM	31	2.54	
3	0/2.38	FM/AM	32	2.55	
4	0/2.78	FM/AM	33	2.53	
5	0		34	NC	
6	7.83		35	NC	
7	2.03/0	FM/AM	36	NC	
8	0		37	0	
9	2.03/0	FM/AM	38	0	
10	3.05/4.6/2.93	FM/MW/LW	39	0	
11	0.76		40	NC	
12	3.05/4.6/2.93	FM/MW/LW	41	NC	
13	0.14/2.35	TUNER Receiving/Others	42	0	
14	4.35/4.97	FM Receiving/AM Receiving	43	NC	
15	0		44	NC	
16	8.17		45	NC	
17	NC		46	PS	
18	0		47	PS	
19	3.87		48	0	
20	3.37		49	4.97	
21	3.31/4.31	FM/AM	50	4.18	
22	PS		51	4.18	
23	PS		52	4.18	
24	0		53	4.18	
25	PS		54	4.18	
26	PS		55	4.18	
27	PS		56	4.18	
28	8.19		57	4.18	
29	3/4.63/2.93	FM/MW/LW	58	PS/4.18	TUNER Receiving/Others

IC1001-2					
59	PS/4.19	TUNER Receiving/Others	102	NC	
60	PS/4.20	TUNER Receiving/Others	103	NC	
61	NC		104	NC	
62	PS/4.18	TUNER Receiving/Others	105	NC	
63	PS/4.18	TUNER Receiving/Others	106	NC	
64	PS/4.18	TUNER Receiving/Others	107	NC	
65	PS/4.18	TUNER Receiving/Others	108	NC	
66	PS/4.18	TUNER Receiving/Others	109	NC	
67	4.17		110	NC	
68	PS/4.17	TUNER Receiving/Others	111	NC	
69	4.14		112	0	
70	4.14		113	0.1/0	FM/AM
71	4.16		114	4.5/2.99	
72	4.17		115	8.09	
73	NC		116	PS/3.13	TUNER Receiving/Others
74	NC		117	3.83	
75	NC		118	3.8/PS	Others/AM Receiving
76	4.14		119	3.03	
77	4.14		120	2.85/PS	Others/AM Receiving
78	4.14		121	2.86	
79	4.14		122	3.83	
80	4.14		123	2.56	
81	4.14		124	4.32	
82	4.14		125	4.32	
83	4.14		126	0	
84	4.14		127	5.07	
85	4.14		128	NC	
86	PS/4.14	TUNER Receiving/Others	129	0	
87	NC		130	PS/3.8	FM Receiving/Others
88	4.16		131	7.81	
89	PS/4.14	TUNER Receiving/Others	132	1.97	
90	4.32/4.97	FM Receiving/AM Receiving	133	1.97	
91	0		134	PS/3.91	FM Receiving/Others
92	2.14		135	PS/8.14	AM Receiving/Others
93	0.18/2.4	FM Receiving/Others	136	PS/8.14	AM Receiving/Others
94	3.65		137	1.97	
95	0		138	1.97	
96	PS		139	0	
97	PS		140	3.67	
98	4.95		141	8.1	
99	NC		142	8.1	
100	NC		143	6.85/3.97	FM/AM
101	NC		144	2/0	AM Receiving/Others

IC1002					
1	4.32/4.97	FM Receiving/AM Receiving	5	4.17	
2	4.32/4.98	FM Receiving/AM Receiving	6	4.18	
3	4.32/4.99	FM Receiving/AM Receiving	7	4.18	
4	0		8	8.42	

Ref. No.	E	C	B	NOTE
Q001	8.12/8.12	0/8.07	8.06/7.38	FM/AM
Q002	8.12/8.12	8.07/2.0	0/8.12	FM/AM
Q006	0	8.1	0	
Q008	0	3.7	0	
Q102	0/0	3.3/0	0/4.72	TUNER/CD
Q103	3.3/3.3	3.25/0	2.6/3.3	CD/TUNER
Q304	0	8.2	0.0	
Q401	0/0	0/10.46	4.94/0	MX ON/OFF
Q402	0/0	0/10.46	4.94/0	MENU ON/OFF
Q403	0/0	0/10.4	4.94/0	SEA GREEN ON/OFF
Q404	0/0	0/10.6	4.94/0	SEA AMB ON/OFF
Q405	0/0	0/8.99	0.75/0	2 LIT GREEN ON/OFF
Q406	0/0	9.21/0	0/0.76	2 LIT AMB OFF/ON
Q407	0/0	0/6.05	0.72/0	AUDIO GREEN ON/OFF
Q408	0/0	0/6.05	0.72/0	AUDIO GREEN ON/OFF
Q413	0.11	0.21	0	
Q414	0	0.11	0.76	
Q415	8.1	11.74	8.72	
Q419	6.75/0	6.67/0	4.93/0.71	RED OUT OFF/ON
Q420	0/0	6.76/0	0/0.71	RED OUT OFF/ON
Q421	4.38	4.98	4.93	
Q502	8.6	14.4	9.2	
Q505	4.81	PS	4.81	
Q506	4.88	PS	4.88	
Q507	0	PS	0	
Q601	0	4.7	0	
Q602	4.95	0	4.95	
Q603	0/0	14.1/0	0/4.9	Others/BUZZER
Q606	0	9.33/0	0/4.75	Others/OPEN
Q803	14.4	14.4	13.7	
Q804	0	0	4.9	
Q807	12.3	14.4	12.9	
Q808	12.3	14.4	12.9	
Q810	12.12	14.4	17.71	
Q812	9.94	14.4	10.6	
Q841	4.83/4.83	0/4.84	4.83/3.2	IN-INT OFF/ON
Q844	0	0	4.76	
Q894	0/0	4.89/0	0/9.7	DIMMER OFF/ON
Q904	4.9	4.78	0	
Q905	0	0	4.77	

Ref. No.	1	2	3	4	NOTE
Q1003	2.41/0.61	7.83/7.77	7.83/2	0.94/0	FM/AM

Ref. No.	1	2	3	4	5	NOTE
Q005	0	4.83	4.96	8.04	0	
Q101	0/4.88	4.77/0	4.77/4.9	4.72/0	0/0	CD/TUNER
Q201	0/8.37	8.33/0.3	8.4/8.4	4.76/0	0/0	CD /TUNER
Q501	0	14.4	14.4	4.77	0	
Q809	0	41.38	14.4	4.9	0	

Ref. No.	1	2	3	4	5	NOTE
Q813	0/14.4	14.4/0.15	14.4/14.4	4.89/0	0/0	FAN ON/OFF
Q815	0	4.89	4.91	4.89	0	
Q817	0	4.86	4.88	6.33	0	
Q821	0	4.89	4.91	2.66	0	
Q825	0	14.4	14.4	4.88	0	
Q872	14.4	0	14.4	0	0	
Q1004	0/7.48	0/0	0/0	0/0.91	0/2.57	FM/AM

Ref. No.	1	2	3	4	5	6	NOTE
Q311	PS/0	0/0	PS/0	0/6.12	0/0	0/6.12	Others/A-MUTE
Q312	PS/0	0/0	PS/0	0/6.12	0/0	0/6.12	Others/A-MUTE
Q313	PS/0	0/0	PS/0	0/6.12	0/0	0/6.12	Others/A-MUTE
Q604	PS	4.95	PS	PS	4.95	PS	

[Measuring Conditions]

- 1.Power Supply Voltage : DC14.4V
2.Measuring Meter : Digital Multi Meter
3.Measuring Point Reference : Between GND
4.Measuring Condition : FM : 98.1MHz
MW : 999KHz
LW : 216KHz
CD : at playing Disc

(CD Deck Mechanism)

IC101											
1	L	25	H	49	H	73	L	97	PS	121	L
2	L	26	H	50	L	74	L	98	H	122	L
3	L	27	H	51	H	75	H	99	L	123	L
4	H	28	H	52	1.6	76	L	100	L	124	PS
5	L	29	H	53	PS	77	H	101	L	125	1.6
6	L	30	H	54	H	78	L	102	L	126	L
7	L	31	H	55	H	79	L	103	L	127	2.5
8	L	32	H	56	H	80	L	104	L	128	L
9	L	33	H	57	L	81	L	105	H	129	2.5
10	L	34	L	58	H	82	L	106	L	130	H
11	L	35	H	59	1.6	83	H	107	H	131	L
12	1.6	36	H	60	L	84	H	108	H	132	L
13	2.5	37	L	61	H	85	L	109	L	133	L
14	L	38	H	62	2.5	86	2.5	110	L	134	H
15	L	39	2.5	63	H	87	L	111	L	135	PS
16	H	40	L	64	H	88	2.5	112	H	136	H
17	H	41	PS	65	L	89	2.5	113	L	137	H
18	2.5	42	L	66	PS	90	L	114	L	138	L
19	H	43	PS	67	L	91	1.6	115	L	139	L
20	H	44	L	68	1.6	92	L	116	L	140	L
21	H	45	L	69	L	93	L	117	L	141	L
22	H	46	2.5	70	L	94	H	118	L	142	1.6
23	H	47	L	71	L	95	L	119	L	143	L
24	H	48	PS	72	L	96	PS	120	H	144	L

IC103											
1	H	9	L	17	H	25	L	33	L	41	L
2	H	10	L	18	L	26	H	34	L	42	L
3	H	11	H	19	L	27	L	35	L	43	L
4	H	12	H	20	H	28	H	36	L	44	L
5	L	13	L	21	H	29	L	37	H	45	L
6	L	14	L	22	H	30	L	38	L	46	L
7	L	15	L	23	L	31	L	39	L	47	H
8	L	16	H	24	L	32	L	40	L	48	H

IC104			
1	H	9	H
2	L	10	H
3	L	11	H
4	H	12	H
5	H	13	H
6	H	14	H
7	H	15	H
8	L	16	H

IC107	
1	PS
2	PS
3	H
4	L
5	L
6	PS
7	PS
8	H

IC108	
1	H
2	L
3	1.25
4	1.6
5	H

IC109	
1	H
2	H
3	L
4	L
5	L

IC110	
1	L
2	H
3	L
4	L
5	H

IC201									
1	PS	17	L	33	1.6	49	L	65	PS
2	PS	18	L	34	1.6	50	H	66	L
3	L	19	PS	35	L	51	L	67	L
4	H	20	L	36	L	52	PS	68	L
5	L	21	1.6	37	1.6	53	PS	69	L
6	L	22	1.6	38	L	54	1.4	70	L
7	L	23	H	39	L	55	PS	71	H
8	H	24	1.6	40	L	56	L	72	H
9	L	25	1.6	41	L	57	L	73	1.6
10	L	26	1.6	42	1.6	58	PS	74	L
11	L	27	1.6	43	L	59	PS	75	1.6
12	H	28	1.6	44	1.6	60	H	76	H
13	L	29	1.6	45	1	61	H	77	L
14	L	30	1.6	46	L	62	PS	78	L
15	L	31	1.6	47	1.6	63	L	79	PS
16	L	32	1.6	48	L	64	PS	80	PS

IC401							
1	L	9	1.6	17	1.65	25	1.65
2	2.76	10	1.6	18	1.65	26	1.65
3	H	11	2.12	19	1.65	27	1.65
4	1.6	12	L	20	1.65	28	1.65
5	1.6	13	1.9	21	1.65	29	1.65
6	2.5	14	L	22	1.65	30	1.65
7	0.78	15	H	23	1.65	31	1.65
8	1.7	16	L	24	0.86	32	1.65

IC501			
1	2.5	5	2.5
2	2.5	6	2.5
3	2.5	7	2.5
4	L	8	5

IC503	
1	L
2	8
3	3.3
4	L

IC504	
1	5
2	L
3	8

IC601							
1	1.65	8	7	15	H	22	1.65
2	L	9	L	16	H	23	1.65
3	1.65	10	L	17	H	24	1.65
4	1.65	11	H	18	H	25	1.65
5	1.65	12	H	19	L	26	1.65
6	1.65	13	H	20	L	27	1.65
7	1.65	14	H	21	L	28	L

	E	C	B
Q401	3.3	L	3.12

[Measuring Conditions]

1. Power Supply Voltage : DC14.4V
2. Measuring Meter : Digital Multi Voltmeter
3. Measuring Point Reference : Between GND
4. Measuring Condition : at playing Disc

Description of IC Terminal

D78F4216AGC : IC001

No.	Symbol	I/O	Terminal Description
1	IF MUTE	O	IF MUTE control terminal. (H:IF MUTE ON)
2	NC	-	No connect terminal.
3			
4	RDS-CONT	O	RDS data input prevention control terminal of adjoining station. (H:RDS OFF)
5	IF MUTE(NC)	-	No connect terminal.
6	NC		
7			
8			
9	VDD	-	Power supply terminal.
10	X2	-	Crystal OSC connect terminal for main system clock OSC. (12.288MHz)
11	X1		
12	VSS	-	GND terminal.
13	XT2(NC)	-	No connect terminal.
14	XT1(GND)	-	GND terminal.
15	RESET	I	System reset input terminal.
16	BATT-DET	I	BATT compulsion stand-by signal input terminal from VDD IC.
17	STANDBY	I	Stand-by signal input terminal from Main μ -COM.
18	NC	-	No connect terminal.
19	IS BUS Fin	I	IS BUS frame signal input terminal.
20	NC	-	No connect terminal.
21			
22			
23	AVDD	-	Analog power supply terminal of A/D converter.
24	AVREF0	I	Standard voltage input terminal of A/D converter.
25	S-METER	I	Signal-Meter input terminal.
26	MULTIPATH	I	Multipath input terminal of RDS Decoder.
27	ADJCH-DET	I	Adjoining station detect input terminal.
28	SSTOP	I	FM station detect signal input terminal.
29	AMST/MP	I	SEEK STOP detect input terminal at AM. (H:Station ON)
30	AFC	I	FM station detect signal input terminal.
31	NC(GND)	-	GND terminal.
32			
33	AVSS	-	GND terminal of A/D converter.
34	NC	-	No connect terminal.
35			
36	AVREF1	I	Standard voltage input terminal of D/A converter.
37	IS BUS RX	I	IS BUS receiving terminal.
38	IS BUS TX	O	IS BUS transmitting terminal.
39	IS BUS Fout	O	IS BUS frame signal output terminal.
40	MONITOR RXD	I	Command input terminal for RDS monitor (P/C). (Pull-up connect)
41	MONITOR TXD	O	Status output terminal for RDS monitor (P/C).
42	NC	-	No connect terminal.
43			
47			
48	T-MUTE	O	MUTE signal output terminal to Main μ -COM.
49	NC	-	No connect terminal.
50			

No.	Symbol	I/O	Terminal Description
51	MARKET1	I	Area set up terminal.
52	MARKET2		
53	MARKET3		
54	AUTOADJ	I	Auto adjustment start signal terminal of FM/AM TUNER. (L:start)
55	NC	-	No connect terminal.
1			
71			
72	VSS	-	GND terminal.
73	NC	-	No connect terminal.
1			
80			
81	VDD	-	Power supply terminal.
82	NC	-	No connect terminal.
1			
91			
92	PAUSE	I	Audio signal detect terminal. (L:Blank)
93	DAVN	I	Data available input terminal of RDS Decoder.
94	TEST/VPP	-	GND terminal.
95	RDS SDA	I/O	Data input/output terminal to RDS Decoder.
96	RDS SCL	O	Clock output terminal to RDS Decoder.
97	IIC SCL	O	I2C clock output terminal to TUNER-IC(TDA7511).
98	IIC SDA	I/O	I2C data input/output terminal to TUNER-IC(TDA7511).
99	TUNER ON(NC)	-	No connect terminal.
100	FM/AM	O	FM/AM power supply switching terminal. (L:FM)

UPD78F9026 : IC401

No.	Symbol	I/O	Terminal Description
1	SEA GRN	O	Control signal output terminal for SEARCH KEY lighting LED. (GREEN)
2	KI4	I	Key Matrix input terminal.
3	KI3		
4	KI2		
5	KI1		
6	KI0		
7	KS4	O	Key Matrix output terminal.
8	KS3		
9	KS2		
10	KS1		
11	KS0		
12	NC(GND)	-	GND connect terminal.
13	GND(VPP)	-	GND terminal.
14	XTAL2	I	Crystal OSC connect terminal for main system clock OSC. (5MHz)
15	XTAL1		
16	GND	-	GND terminal.
17	VDD	-	Power supply terminal.
18	RESET	I	System RESET input terminal.
19	2 Lit GREEN	O	Green LED control signal output terminal for Key lighting.
20	2Lit AMB	O	Amber LED control signal output terminal for Key lighting.
21	BLACK OUT	O	LED control signal output terminal for LCD backlight.
22	LCD CLK	I	Clock output signal input terminal from MAIN u-COM.

No.	Symbol	I/O	Terminal Description
23	F-STBY	I	Active stand-by output signal input terminal from MAIN u-COM.
24	SEA AMB	O	Control signal output terminal for SEARCH KEY lighting LED. (AMBER)
25	RED OUT	O	HIGH output terminal only at RGB LED RED Mode.
26	F-RXD	I	DATA input signal input terminal from MAIN u-COM.
27	F-TXD	O	DATA output signal output terminal to MAIN u-COM.
28	F-SCK	O	Clock signal output terminal to LCD Driver.
29	LCD DI	O	Serial DATA output terminal to LCD Driver.
30	LCD AO	O	Address BUS selection signal output terminal to LCD Driver.
31	LCD CSI	O	CE signal output terminal to LCD Driver.
32	LCD RESET	O	RESET signal output terminal to LCD Driver.
33	RGB CLK	O	Clock signal output terminal to RGB Driver.
34	RGB DATA	O	Serial DATA output terminal to RGB Driver.
35	RGB CS	O	CS signal output terminal to RGB Driver.
36	RGB RST	O	RESET signal output terminal to RGB Driver.
37	GND	-	GND terminal.
38	VDD	-	Power supply terminal.
39	GND	-	GND terminal.
40	AUDIO AMB	O	LED control signal output terminal for AUDIO Block.
41	AUDIO GRN		
42	MENU LED	O	Indicator LED control signal output terminal for MENU Key.
43	MX LED	O	Indicator LED control signal output terminal for MX Key.
44	DIMMER	O	Control signal output terminal for backlight LED.

M30626FHPGP : IC501

No.	Symbol	I/O	Terminal Description
1	NC	-	No connect terminal.
2	REM DATA	I	Remote control input terminal.
3	F-COM RXD	O	DATA output signal output terminal to FRONT u-COM.
4	F-COM TXD	I	DATA input signal input terminal from FRONT u-COM.
5	F-COM SCLK	I	Clock output signal input terminal from FRONT u-COM.
6	GND	-	GND terminal.
7	GND(CNVss)		
8	32.768kHz	I	Crystal OSC connect terminal for sub system clock OSC.
9		O	
10	RESET	I	System RESET input terminal.
11	6MHz	O	Crystal OSC connect terminal for main system clock OSC.
12	GND	-	GND terminal.
13	6MHz	I	Crystal OSC connect terminal for main system clock OSC.
14	VCC	-	Power supply terminal.
15	NMI	-	Pull-up connect terminal.
16	8V-DET	I	8V ON detection input terminal.
17	ACC-DET	I	ACC ON detection signal input terminal.
18	BAT-DET	I	BATT ON detection signal input terminal.
19	BL-LED	O	LED control signal output terminal for LCD backlight.
20	V-CONT	O	CD BATT power supply control signal output terminal.
21	NC	-	No connect terminal.
22	BUZZER	O	BUZZER signal output terminal.

No.	Symbol	I/O	Terminal Description
23	BUS-IN	I	Ai-NET BUS signal input terminal.
24	CD RST	O	System RESET output terminal to CD u-COM.
25	CD STBY	O	Active stand-by request signal output terminal to CD u-COM.
26	NC	-	No connect terminal.
27	BUS IN	I	Ai-NET BUS signal input terminal.
28	BUS OUT	O	Ai-NET BUS signal output terminal.
29	RDS TXD	O	Command DATA signal output terminal to RDS u-COM.
30	RDS RXD	I	Status DATA signal input terminal from RDS u-COM.
31	NC	-	No connect terminal.
32			
33	CD TXD	O	Serial DATA output terminal to CD Mechanism.
34	CD RXD	I	Serial DATA input terminal from CD Mechanism.
35	CD_CLK	O	Serial clock output terminal to CD Mechanism.
36	F-START	O	Communication start output terminal to FRONT u-COM.
37	F-RESET	O	RESET signal output terminal to FRONT u-COM.
38	NC	-	No connect terminal.
39			
40	NOSE PWR	O	NOSE around power supply control signal output terminal.
41	NC	-	No connect terminal.
42	IIC-DATA	I/O	I2C serial DATA input/output terminal.
43	IIC-CLK	O	I2C serial clock output terminal.
44	FAN CONT	O	FAN control output terminal.
45	ENCODER2	I	Encoder-2 input terminal.
46	ENCODER1	I	Encoder-1 input terminal.
47	IN DIMMER	I	Outernal DIMMER detection signal input terminal.
48	PWR IC ON	O	POWER-IC stand-by control signal output terminal.
49	O.REM	O	REMOTE ON signal output terminal for outernal AMP.
50	NC	-	No connect terminal.
51	$\overline{\text{A-MUTE}}$	O	A-MUTE signal output terminal.
52	IN INT	I	Outernal interrupt signal input terminal. (at interrupt:H)
53	NC	-	No connect terminal.
54			
56			
57	60W CONT	O	Power supply ON control output terminal for 60W.
58	ZERO DET	I	0 Bit MUTE signal input terminal from CD u-COM.
59	IIC-DATA	I/O	I2C serial DATA input/output terminal.
60	VCC	-	Power supply terminal.
61	IIC-CLK	O	I2C serial clock output terminal.
62	GND	-	GND terminal.
63	POWER CONT	O	Power supply control signal output terminal for AUDIO/lighting.
64	NC	-	No connect terminal.
65	$\overline{\text{XRST(DSP)}}$	O	RESET signal output terminal to DSP-IC.
66	AREA	I	AREA/Function definition terminal.
67	SCLK(DSP)	O	Serial clock output terminal to DSP-IC.
68	RVDT(DSP)	O	Serial DATA output terminal to DSP-IC.
69	TRDT(DSP)	I	Serial DATA input terminal from DSP-IC.
70	XLAT(DSP)	O	DATA latch signal output terminal to DSP-IC.
71	RDS FIN	I	Status DATA signal input terminal from RDS u-COM.

No.	Symbol	I/O	Terminal Description
72	NC	-	No connect terminal.
73	CD FIN	I	Frame input terminal.
74	CD FOUT	O	Frame output terminal.
75	REG RESET	O	RESET signal output terminal to system Regulator IC.
76	RDS RST	O	RESET control signal output terminal to RDS u-COM.
77	T-MUTE	I	A-MUTE signal input terminal from RDS u-COM.
78	RDS FOUT	O	DATA output signal output terminal to RDS u-COM.
79	RDS STBY	O	Stand-by signal output terminal to RDS u-COM.
80	2WAY/3WAY	I	2WAY/3WAY switching signal input terminal.
81	DOOR LED	O	ESC LED lighting control output terminal.
82	LIMIT SW1 (OPEN)	I	OPEN LIMIT SW signal input terminal. (H:SW OFF, L:SW ON)
83	LIMIT SW2 (CLOSE)	I	CLOSE LIMIT SW signal input terminal. (H:SW OFF, L:SW ON)
84	MOTOR ON	O	Power supply control terminal for unizon MOTOR.
85	MOTOR FOR	O	Unizon MOTOR forward driving signal output terminal.
86	MOTOR REV	O	Unizon MOTOR backward driving signal output terminal.
87	HI-TEMP	I	CD HI-TEMP input terminal.
88	IN SW	I	CD DISC-IN detection signal input terminal.
89	AUDIO	I	A/D DATA input terminal from AUDIO signal.
90	NC	-	No connect terminal.
91	AFC	I	AFC signal input terminal.
92	NC	-	No connect terminal.
93			
94	GND	-	GND terminal of A/D Converter.
95	NOSE DET	I	NOSE detachable detection terminal.
96	VCC	I	Standard voltage input terminal of A/D Converter.
97			Power supply input terminal of A/D Converter.
98	AMP LINK IN	I	AMP DATA IN input terminal for Black Box.
99	AMP LINK DATA	O	AMP DATA OUT output terminal for Black Box.
100	AMP LINK CLK	O	AMP CLK OUT output terminal for Black Box.

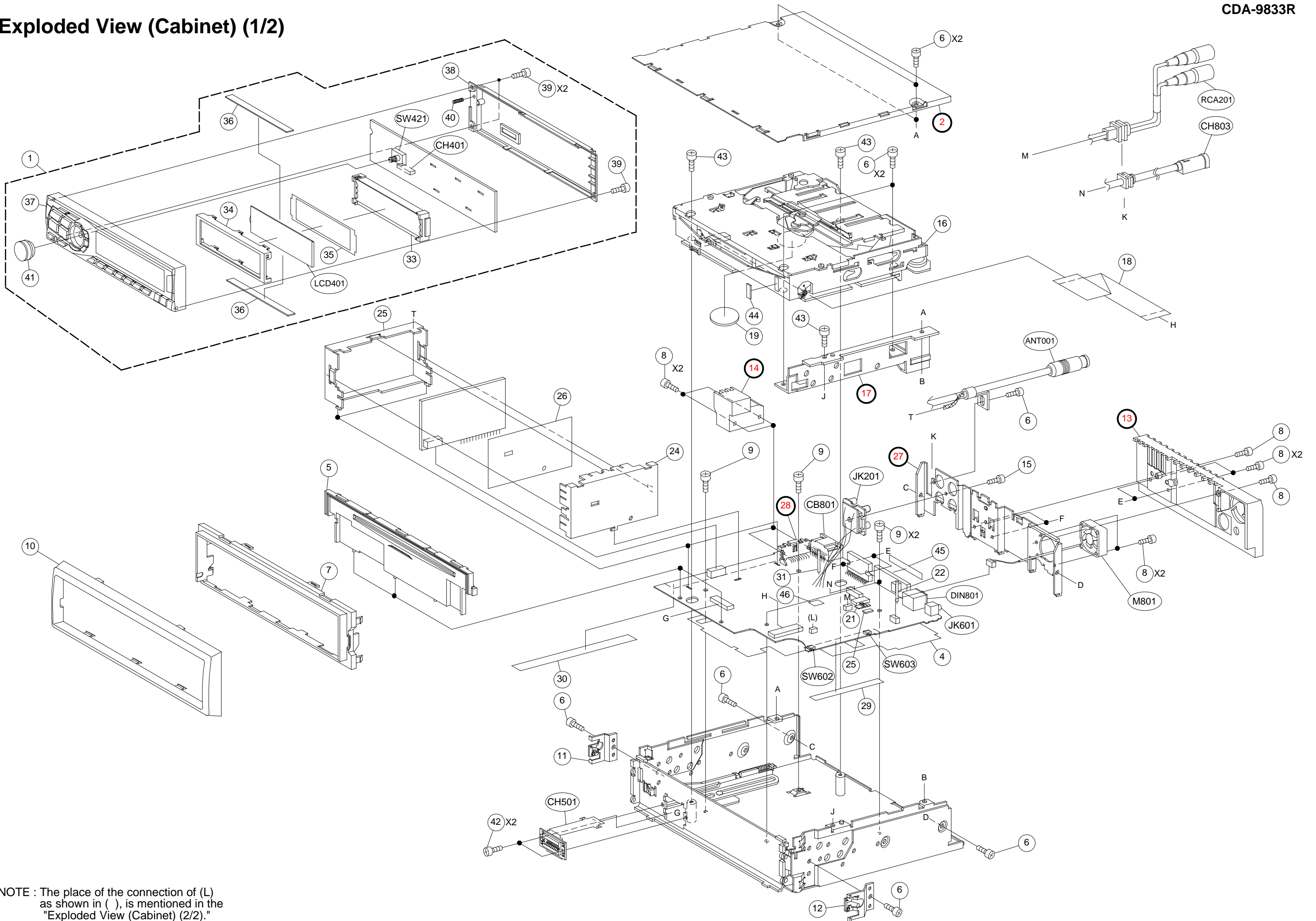
TMS320DA150PGE160 : IC101

No.	Symbol	I/O	Terminal Description
1	CVSS	-	GND connect terminal.
2	A22	O	External program address terminal.
3	CVSS	-	GND connect terminal.
4	DVDD	-	Power supply terminal. (+3.3V)
5	A10	O	External program address terminal.
6	Load-Motor2	O	LOAD motor control terminal.
7	A11	O	External program address terminal.
8	A12		
9	A13		
10	A14		
11	A15		
12	CVDD	-	Power supply terminal. (+1.6V)
13	HAS(PULL-DOWN)	-	Pull-down connect terminal.
14	DVSS	-	GND connect terminal. (+3.3V)
15	CVSS	-	GND connect terminal. (+1.6V)
16	CVDD	-	Power supply terminal. (+3.3V)
17	NC	-	No connect terminal.
18	HR/W(PULL-DOWN)	-	Pull-down connect terminal.
19	READY	-	DVDD connect terminal.
20	RON/CS	O	External program chip selection signal terminal.
21	NC	-	No connect terminal.
22	NC		
23	SDRAM_ROM/WE	O	External program read / write signal terminal.
24	NSTRB	O	External program memory strobe signal terminal.
25	NC	-	No connect terminal.
26	NC		
27	RESET	O	The RESET request signal terminal to SERVO-LSI.
28	NC	-	No connect terminal.
29	NC		
30	PULL-UP	-	Pull-up connect terminal.
31	CS	I	EPF-BUS2 communication CS signal terminal.
32	PULL-UP	-	Pull-up connect terminal.
33	DVDD	-	Power supply terminal. (+3.3V)
34	CVSS	-	GND connect terminal. (+1.6V)
35	STBY	I	EPF-BUS2 communication STBY signal terminal.
36	MLD	O	SERVO-LSI control communication Command load signal terminal.
37	CVSS	-	GND connect terminal. (+1.6V)
38	MCLK	O	SERVO-LSI control communication Command clock signal terminal.
39	HCNTL0(PULL-DOWN)	-	Pull-down connect terminal.
40	DVSS	-	GND connect terminal.
41	BCLK	I	BCLK input signal terminal.
42	NC	-	No connect terminal.
43	LRLK	I	LRCLK input signal terminal.
44	NC	-	No connect terminal.
45	SRDATA	I	SRDATA input signal terminal.
46	HCNTL1(PULL-DOWN)	-	Pull-down connect terminal.
47	CMD	I	EPF-BUS2 communication CMD signal terminal.

No.	Symbol	I/O	Terminal Description
48	SSEL	O	BCLK output signal terminal.
49	SCK	I	PF-BUS2 communication SCK signal terminal.
50	CVSS	-	GND connect terminal. (+1.6V)
51	HINT(PULL-DOWN)	-	Pull-down connect terminal.
52	CVDD	-	Power supply terminal. (+1.6V)
53	MSEL	O	LRCLK output signal terminal. (LR polarity, SMCK fixation)
54	CS	I	EPF-BUS2 communication CS signal terminal.
55	HRDY(PULL-DOWN)	-	Pull-down connect terminal.
56	DVDD	-	Power supply terminal. (+3.3V)
57	DVSS	-	GND connect terminal. (+3.3V)
58	/SRQ	O	EPF-BUS2 communication SRQ signal terminal.
59	PSEL	O	SRDATA output terminal.
60	STS	O	EPF-BUS2 communication STS signal terminal.
61	NC	-	No connect terminal.
62	HBIL(PULL-DOWN)	-	Pull-down connect terminal.
63	STBY	I	STBY demand signal terminal.
64	CLOCK	I	Sub code frame clock signal terminal. (fCLDCK=7.35kHz)
65	BLKCK	I	Sub code block clock signal terminal. (fBLDCK=75Hz)
66	IPFLAG	I	Interpolation flag signal input terminal. (H : Interpolation)
67	/SCK	I	EPF-BUS2 communication Logic reversal signal terminal of SCK.
68	CVDD	-	Power supply terminal. (+1.6V)
69	SW-A	I	DISC position detection SW-A input terminal.
70	CVSS	-	GND connect terminal. (+1.6V)
71	NC	-	No connect terminal.
72	DVSS	-	GND connect terminal. (+3.3V)
73	SW-C	I	DISC position detection SW-C input terminal.
74	S/PDIF	O	Digital. data (SPDIF) output terminal.
75	DVDD	-	Power supply terminal. (+3.3V)
76	DVSS	-	GND connect terminal. (+3.3V)
77	PULL-UP	-	Pull-up connect terminal.
78	PULL-DOWN	-	Pull-down connect terminal.
79	PULL-DOWN		
80	HPI16(PULL-DOWN)		
81	SW-B		DISC position detection SW-B input terminal.
82	NC	-	No connect terminal.
83	EMU0	I	Emulator terminal.
84	EMU1/OFF		
85	TDO(PULL-DOWN)	-	Pull-down connect terminal.
86	TDI(PULL-DOWN)		
87	TRST(PULL-DOWN)		
88	TCK(PULL-DOWN)		
89	TMS(PULL-DOWN)		
90	CVSS	-	GND connect terminal. (+1.6V)
91	CVDD	-	Power supply terminal. (+1.6V)
92	HPIENA(PULL-DOWN)	-	Pull-down connect terminal.
93	DVSS	-	GND connect terminal. (+3.3V)
94	NC	-	No connect terminal.
95	Load-Motor1	O	LOAD motor control terminal.

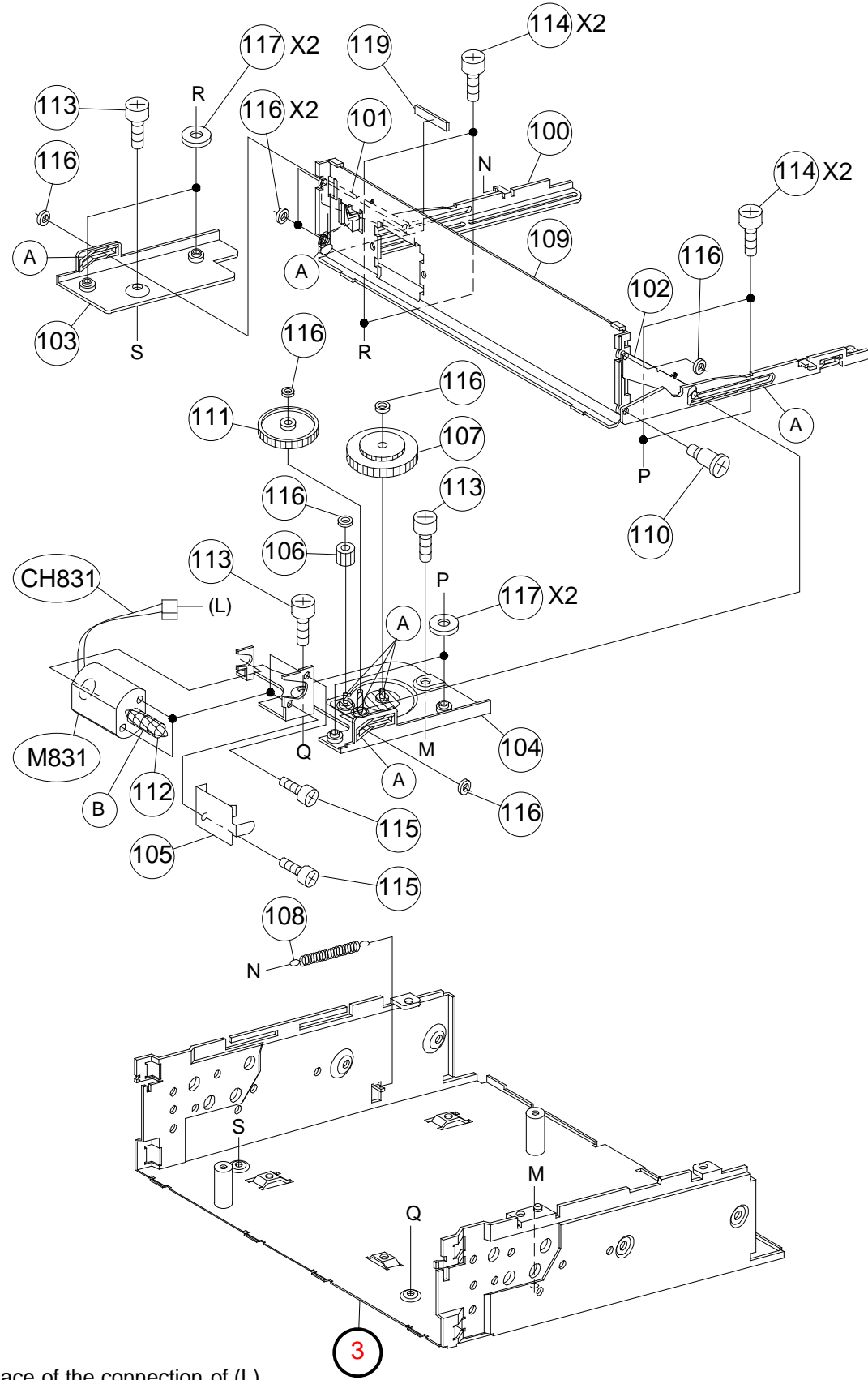
No.	Symbol	I/O	Terminal Description
96	X1(NC)	-	No connect terminal.
97	X2	I	Clock connect terminal.
98	DSP RESET	I	EPF-BUS2 communication RESET signal terminal.
99	D0	I/O	External program data terminal.
100	D1		
101	D2		
102	D3		
103	D4		
104	D5		
105	A16	O	External program address terminal.
106	DVSS	-	GND connect terminal.
107	A17	O	External program address terminal.
108	A18		
109	A19		
110	A20		
111	CVSS	-	GND connect terminal.
112	DVDD	-	Power supply terminal. (+3.3V)
113	D6	I/O	External program data terminal.
114	D7		
115	D8		
116	D9		
117	D10		
118	D11		
119	D12		
120	SW-D	I	DISC position detection SW-D input terminal.
121	D13	I/O	External program data terminal.
122	D14		
123	D15		
124	MDATA	O	SERVO-LSI control communication Command data signal terminal.
125	CVDD	-	Power supply terminal. (+1.6V)
126	CVSS	-	GND connect terminal.
127	HDS1(PULL-DOWN)	-	Pull-down connect terminal.
128	DVSS	-	GND connect terminal.
129	HDS2(PULL-DOWN)	-	Pull-down connect terminal.
130	DVDD	-	Power supply terminal. (+3.3V)
131	A0	O	External program address terminal.
132	A1		
133	A2		
134	A3		
135	STAT	I	SERVO-LSI control communication Status signal input terminal.
136	A4	O	External program address terminal.
137	A5		
138	A6		
139	A7		
140	A8		
141	A9		
142	CVDD	-	Power supply terminal. (+1.6V)
143	A21	O	External program address terminal.
144	DVSS	-	GND connect terminal.

Exploded View (Cabinet) (1/2)



NOTE : The place of the connection of (L) as shown in (), is mentioned in the "Exploded View (Cabinet) (2/2)."

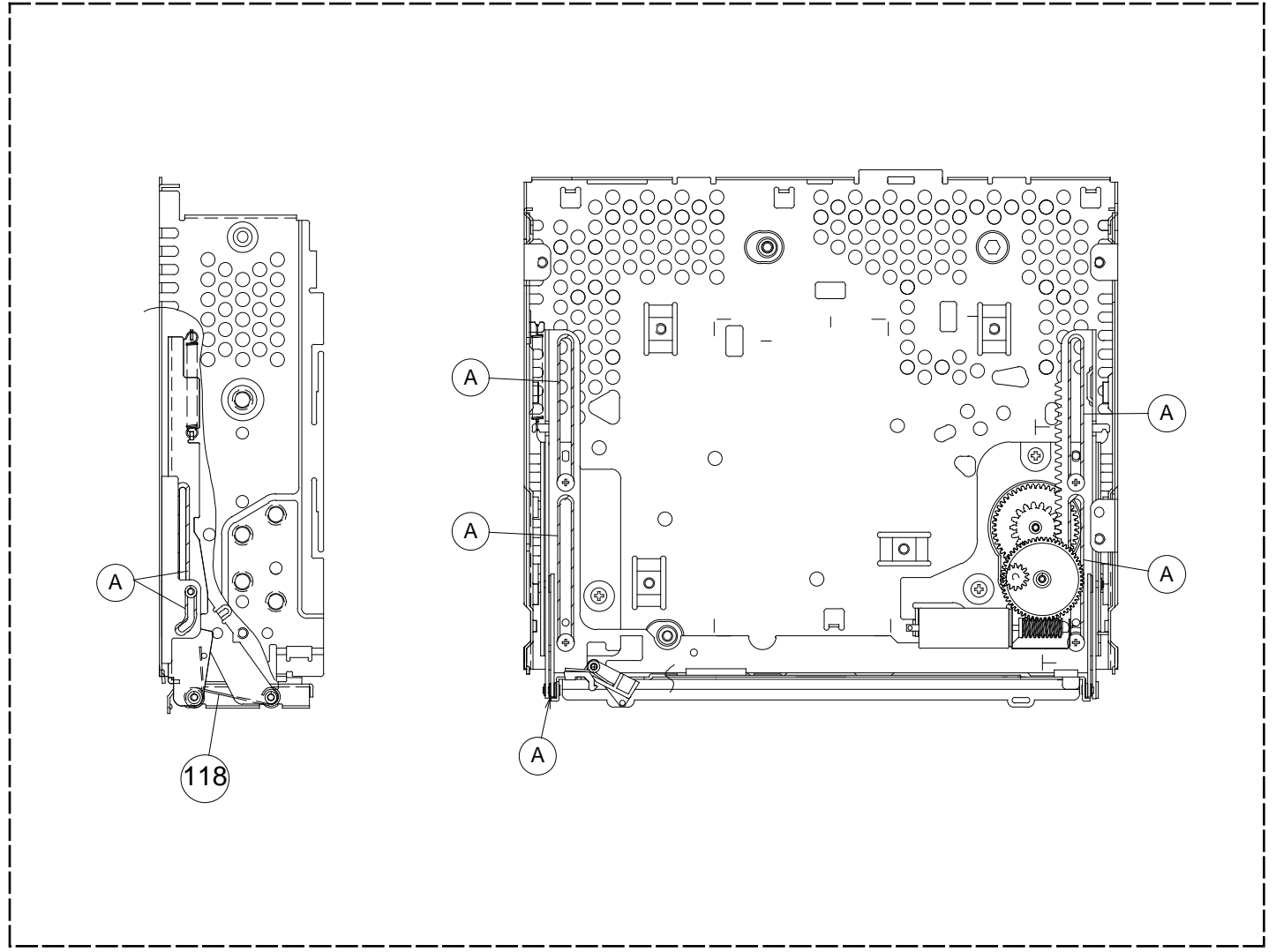
Exploded View (Cabinet) (2/2)



NOTE : The place of the connection of (L) as shown in (), is mentioned in the "Exploded View (Cabinet) (1/2)."

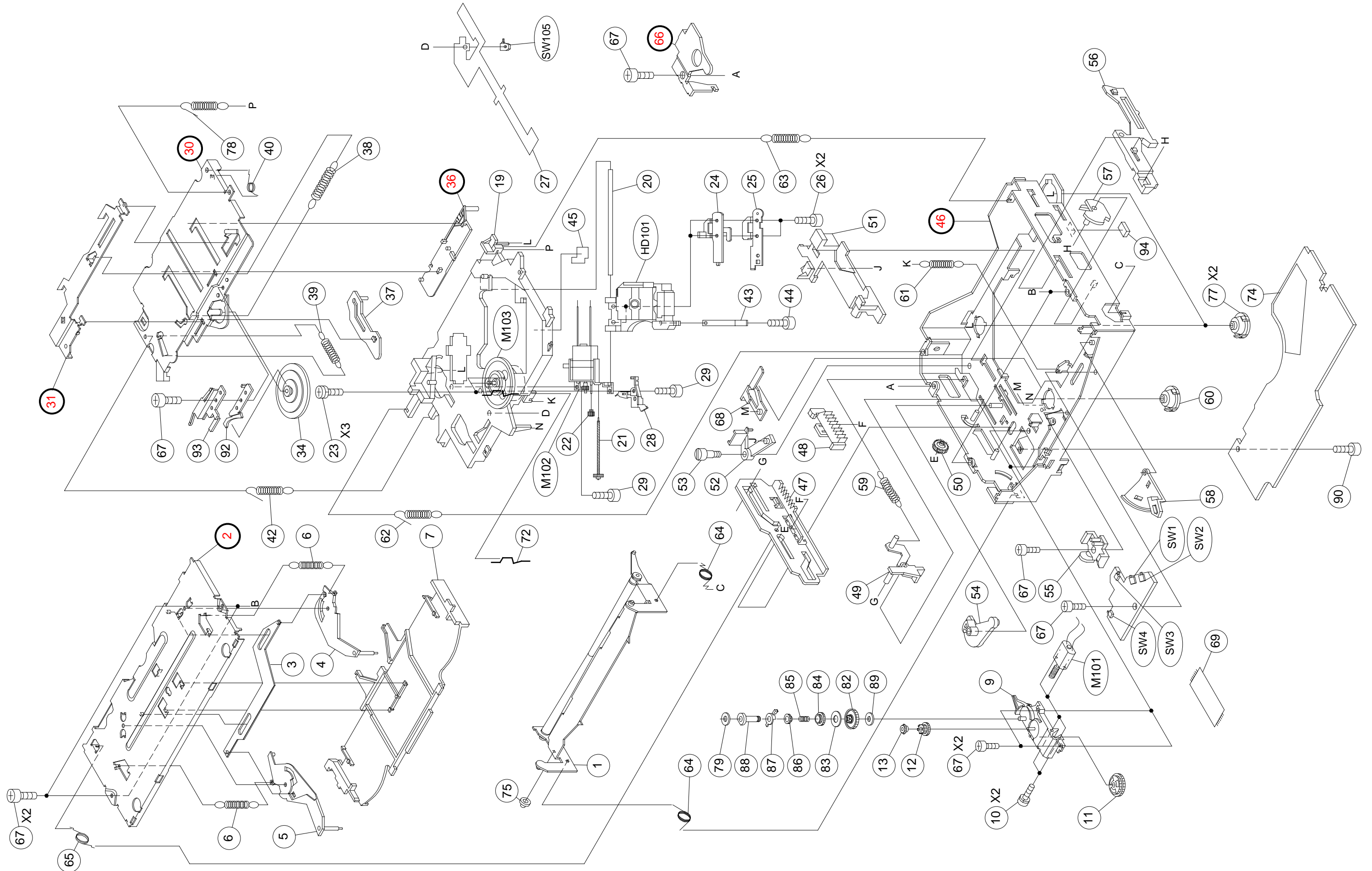
.....point of GREASE applied.

(A)	GREASE,E-PAST (11S42419J09)
(B)	GREASE,G-8007 (11S41558Y01)



Exploded View (CD Deck Mechanism)

(DP23S27R)



Electrical Parts List

* Each parts on P.W.Board are described in order of the reference number.

=====MAIN P.W.Board

BZ601	50T15447Y02	BUZZER,PKM13EPY -R5
C001	08S45677W60	CAP,CER 102J-CH1H-CP
C002	08S45677W07	CAP,CER.5R0C-CH1H-CP
C004	08S45677W60	CAP,CER 102J-CH1H-CP
C005	08S45676W80	CAP,CER 223K-B1E -CP
C006	08S45676W85	CAP,CER 104K-B1C -CP
C007	08S45676W80	CAP,CER 223K-B1E -CP
C008	08S45676W80	CAP,CER 223K-B1E -CP
C009	08S45676W80	CAP,CER 223K-B1E -CP
C010	08S45676W85	CAP,CER 104K-B1C -CP
C011	08S45676W89	CAP,CER 473K-B1E -CP
C012	08S45677W60	CAP,CER 102J-CH1H-CP
C013	08S45677W60	CAP,CER 102J-CH1H-CP
C014	08S45677W48	CAP,CER.331J-CH1H-CP
C015	08S45676W65	CAP,CER.222K-B1H -CP
C016	08S45677W36	CAP,CER.101J-CH1H-CP
C017	08S65674Y05	CAP,CER 105KX5R1C-CP
C018	08S45676W80	CAP,CER 223K-B1E -CP
C019	08S45676W80	CAP,CER 223K-B1E -CP
C020	08S45677W54	CAP,CER 561J-CH1H-CP
C021	08S45676W80	CAP,CER 223K-B1E -CP
C023	08S45677W22	CAP,CER.27RJ-CH1H-CP
C024	08S45677W22	CAP,CER.27RJ-CH1H-CP
C025	08S45676W65	CAP,CER.222K-B1H -CP
C026	08S35349Y17	CAP,CER 225K-B0J -CP
C027	08S45676W85	CAP,CER 104K-B1C -CP
C028	08S45677W12	CAP,CER.10RD-CH1H-CP
C029	08S45677W12	CAP,CER.10RD-CH1H-CP
C031	08S35349Y08	CAP,CER 102K-B1H -CP
C032	08S45676W80	CAP,CER 223K-B1E -CP
C033	08S45677W60	CAP,CER 102J-CH1H-CP
C035	08S45676W80	CAP,CER 223K-B1E -CP
C036	08S45676W80	CAP,CER 223K-B1E -CP
C041	08S45676W80	CAP,CER 223K-B1E -CP
C045	08S82122F32	CAP,CER.62RJ-CH1H-CP
C046	08S82122F27	CAP,CER.39RJ-CH1H-CP
C047	08S82122F19	CAP,CER.18RJ-CH1H-CP
C088	08S45677W60	CAP,CER 102J-CH1H-CP
C101	08S45676W80	CAP,CER 223K-B1E -CP
C103	08S45676W80	CAP,CER 223K-B1E -CP
C104	08S45676W80	CAP,CER 223K-B1E -CP
C107	08S45676W80	CAP,CER 223K-B1E -CP
C202	08S65674Y05	CAP,CER 105KX5R1C-CP
C203	08S45677W25	CAP,CER 36RJ-CH1H-CP
C204	08S45676W80	CAP,CER 223K-B1E -CP
C205	08S65674Y05	CAP,CER 105KX5R1C-CP
C206	08S45676W80	CAP,CER 223K-B1E -CP
C207	08S45676W85	CAP,CER 104K-B1C -CP
C208	08S45677W36	CAP,CER.101J-CH1H-CP
C211	08S45677W09	CAP,CER 7R0D-CH1H-CP
C212	08S45676W64	CAP,CER.182K-B1H -CP

C213	08S45677W09	CAP,CER 7R0D-CH1H-CP
C214	08S45676W85	CAP,CER 104K-B1C -CP
C215	08S65669Y03	CAP,CER 224KX7R1H-CP
C216	08S45676W85	CAP,CER 104K-B1C -CP
C217	08S45677W60	CAP,CER 102J-CH1H-CP
C218	08S45677W60	CAP,CER 102J-CH1H-CP
C219	08S65669Y03	CAP,CER 224KX7R1H-CP
C220	08S45676W85	CAP,CER 104K-B1C -CP
C221	08S45676W63	CAP,CER 152K-B1H -CP
C222	08S45676W66	CAP,CER.272K-B1H -CP
C223	08S45676W63	CAP,CER 152K-B1H -CP
C224	08S45676W66	CAP,CER.272K-B1H -CP
C225	08S45676W85	CAP,CER 104K-B1C -CP
C226	08S45676W63	CAP,CER 152K-B1H -CP
C227	08S45676W66	CAP,CER.272K-B1H -CP
C228	08S45676W64	CAP,CER.182K-B1H -CP
C229	08S45676W63	CAP,CER 152K-B1H -CP
C230	08S45676W85	CAP,CER 104K-B1C -CP
C231	08S45676W85	CAP,CER 104K-B1C -CP
C232	08S45676W85	CAP,CER 104K-B1C -CP
C233	08S45677W09	CAP,CER 7R0D-CH1H-CP
C234	08S45677W09	CAP,CER 7R0D-CH1H-CP
C235	08S45676W66	CAP,CER.272K-B1H -CP
C236	08S65669Y03	CAP,CER 224KX7R1H-CP
C237	08S45677W14	CAP,CER.12RJ-CH1H-CP
C238	08S45677W09	CAP,CER 7R0D-CH1H-CP
C239	08S45676W64	CAP,CER.182K-B1H -CP
C240	08S45676W64	CAP,CER.182K-B1H -CP
C241	08S45676W85	CAP,CER 104K-B1C -CP
C242	08S65669Y03	CAP,CER 224KX7R1H-CP
C243	08S45676W85	CAP,CER 104K-B1C -CP
C244	08S45677W14	CAP,CER.12RJ-CH1H-CP
C245	08S45676W63	CAP,CER 152K-B1H -CP
C246	08S45676W66	CAP,CER.272K-B1H -CP
C247	08S65674Y05	CAP,CER 105KX5R1C-CP
C248	08S45676W85	CAP,CER 104K-B1C -CP
C249	08S45676W85	CAP,CER 104K-B1C -CP
C250	08S45676W63	CAP,CER 152K-B1H -CP
C251	08S45676W66	CAP,CER.272K-B1H -CP
C252	08S45676W85	CAP,CER 104K-B1C -CP
C253	08S45676W85	CAP,CER 104K-B1C -CP
C254	08S45677W09	CAP,CER 7R0D-CH1H-CP
C255	08S65674Y05	CAP,CER 105KX5R1C-CP
C256	08S45676W85	CAP,CER 104K-B1C -CP
C258	08S45676W85	CAP,CER 104K-B1C -CP
C259	08S65669Y03	CAP,CER 224KX7R1H-CP
C260	08S45676W85	CAP,CER 104K-B1C -CP
C261	08S65667Y01	CAP,CER 224KX5R1C-CP
C262	08S45676W85	CAP,CER 104K-B1C -CP
C263	08S45676W64	CAP,CER.182K-B1H -CP
C264	08S45676W73	CAP,CER.103K-B1H -CP
C265	08S65674Y05	CAP,CER 105KX5R1C-CP
C266	08S65674Y05	CAP,CER 105KX5R1C-CP
C267	08S65674Y05	CAP,CER 105KX5R1C-CP
C268	08S65676Y05	CAP,CER 105KX7R1E-CP
C269	08S65676Y05	CAP,CER 105KX7R1E-CP
C270	08S65676Y05	CAP,CER 105KX7R1E-CP

C271	08S65676Y05	CAP,CER 105KX7R1E-CP
C272	08S65676Y05	CAP,CER 105KX7R1E-CP
C273	08S65676Y05	CAP,CER 105KX7R1E-CP
C274	08S45676W64	CAP,CER.182K-B1H -CP
C275	08S65671Y01	CAP,CER 226KX5R1A-CP
C276	08S65671Y01	CAP,CER 226KX5R1A-CP
C277	08S45676W85	CAP,CER 104K-B1C -CP
C278	08S45676W73	CAP,CER.103K-B1H -CP
C279	08S45676W80	CAP,CER 223K-B1E -CP
C280	08S65674Y05	CAP,CER 105KX5R1C-CP
C281	08S65674Y05	CAP,CER 105KX5R1C-CP
C282	08S65674Y05	CAP,CER 105KX5R1C-CP
C283	08S65674Y05	CAP,CER 105KX5R1C-CP
C286	08S45676W85	CAP,CER 104K-B1C -CP
C288	08S45676W80	CAP,CER 223K-B1E -CP
C301	08S65676Y05	CAP,CER 105KX7R1E-CP
C302	08S65676Y05	CAP,CER 105KX7R1E-CP
C303	08S65674Y05	CAP,CER 105KX5R1C-CP
C304	08S65676Y05	CAP,CER 105KX7R1E-CP
C305	08S65676Y05	CAP,CER 105KX7R1E-CP
C306	08S65676Y05	CAP,CER 105KX7R1E-CP
C307	08S65128F78	CAP,CER.223K-B1H -CP
C308	08S65676Y03	CAP,CER 225KX7R1C-CP
C309	08S45677W60	CAP,CER 102J-CH1H-CP
C310	08S45676W64	CAP,CER.182K-B1H -CP
C311	08S45677W24	CAP,CER 33RJ-CH1H-CP
C312	08S45677W24	CAP,CER 33RJ-CH1H-CP
C313	08S45677W24	CAP,CER 33RJ-CH1H-CP
C314	08S45677W24	CAP,CER 33RJ-CH1H-CP
C315	08S45677W24	CAP,CER 33RJ-CH1H-CP
C316	08S45677W24	CAP,CER 33RJ-CH1H-CP
C317	08S45676W63	CAP,CER 152K-B1H -CP
C318	08S45676W63	CAP,CER 152K-B1H -CP
C319	08S45676W66	CAP,CER.272K-B1H -CP
C320	08S45676W66	CAP,CER.272K-B1H -CP
C321	08S45676W64	CAP,CER.182K-B1H -CP
C322	08S45676W63	CAP,CER 152K-B1H -CP
C323	08S45676W63	CAP,CER 152K-B1H -CP
C324	08S45676W66	CAP,CER.272K-B1H -CP
C325	08S45676W66	CAP,CER.272K-B1H -CP
C326	08S45676W64	CAP,CER.182K-B1H -CP
C327	08S45676W64	CAP,CER.182K-B1H -CP
C331	08T25628Y01	CAP,TF 334M-1C -CP
C332	08T25628Y01	CAP,TF 334M-1C -CP
C333	08T25628Y01	CAP,TF 334M-1C -CP
C334	08T25628Y01	CAP,TF 334M-1C -CP
C340	08S65676Y03	CAP,CER 225KX7R1C-CP
C341	08S65676Y03	CAP,CER 225KX7R1C-CP
C342	08S65676Y03	CAP,CER 225KX7R1C-CP
C343	08S65676Y03	CAP,CER 225KX7R1C-CP
C344	08S65676Y03	CAP,CER 225KX7R1C-CP
C345	08S65676Y03	CAP,CER 225KX7R1C-CP
C350	08S65676Y03	CAP,CER 225KX7R1C-CP
C351	08S65676Y03	CAP,CER 225KX7R1C-CP
C352	08S65676Y03	CAP,CER 225KX7R1C-CP
C353	08S65676Y03	CAP,CER 225KX7R1C-CP
C354	08S65676Y03	CAP,CER 225KX7R1C-CP

C355	08S65676Y03	CAP,CER 225KX7R1C-CP
C360	08T65463Y01	CAP,CER 335K-B1A -CP
C361	08T65463Y01	CAP,CER 335K-B1A -CP
C362	08T65463Y01	CAP,CER 335K-B1A -CP
C363	08T65463Y01	CAP,CER 335K-B1A -CP
C503	08S45676W80	CAP,CER 223K-B1E -CP
C504	08S45677W22	CAP,CER.27RJ-CH1H-CP
C505	08S45677W22	CAP,CER.27RJ-CH1H-CP
C508	08S65669Y01	CAP,CER 334KX7R1E-CP
C509	08S45676W73	CAP,CER.103K-B1H -CP
C510	08S45677W36	CAP,CER.101J-CH1H-CP
C511	08S65674Y05	CAP,CER 105KX5R1C-CP
C512	08S45676W85	CAP,CER 104K-B1C -CP
C513	08S45677W22	CAP,CER.27RJ-CH1H-CP
C515	08S45676W80	CAP,CER 223K-B1E -CP
C516	08S45676W80	CAP,CER 223K-B1E -CP
C601	08S45676W80	CAP,CER 223K-B1E -CP
C602	08S45677W36	CAP,CER.101J-CH1H-CP
C603	08S45676W65	CAP,CER.222K-B1H -CP
C604	08S45676W85	CAP,CER 104K-B1C -CP
C605	08S45676W85	CAP,CER 104K-B1C -CP
C606	08S45677W12	CAP,CER.10RD-CH1H-CP
C607	08S45676W85	CAP,CER 104K-B1C -CP
C608	08S45676W85	CAP,CER 104K-B1C -CP
C609	08S45676W85	CAP,CER 104K-B1C -CP
C610	08S45676W80	CAP,CER 223K-B1E -CP
C800	08S35374W01	CAP,CER 104K-B1E-CP
C801	08S65128F78	CAP,CER.223K-B1H -CP
C803	08S45676W80	CAP,CER 223K-B1E -CP
C804	08S45676W80	CAP,CER 223K-B1E -CP
C805	08S45676W80	CAP,CER 223K-B1E -CP
C807	08S45676W80	CAP,CER 223K-B1E -CP
C808	08S45676W80	CAP,CER 223K-B1E -CP
C809	08S45676W80	CAP,CER 223K-B1E -CP
C810	08S65128F88	CAP,CER 104K-B1H -CP
C811	08S45676W85	CAP,CER 104K-B1C -CP
C812	08T55390W34	CAP,TF 274J-1H -R5
C813	08S60102F40	CAP,CER 224K-B1E -CP
C814	08S45676W85	CAP,CER 104K-B1C -CP
C815	08S45676W89	CAP,CER 473K-B1E -CP
C817	08S65676Y05	CAP,CER 105KX7R1E-CP
C818	08S45539Y04	CAP,CER 103KX7R2J-CP
C819	08S45539Y04	CAP,CER 103KX7R2J-CP
C820	08S45539Y04	CAP,CER 103KX7R2J-CP
C826	08S65128F78	CAP,CER.223K-B1H -CP
C831	08S45676W80	CAP,CER 223K-B1E -CP
C832	08S45676W80	CAP,CER 223K-B1E -CP
C833	08S45676W80	CAP,CER 223K-B1E -CP
C836	08S45676W80	CAP,CER 223K-B1E -CP
C840	08S65674Y05	CAP,CER 105KX5R1C-CP
C841	08S45676W80	CAP,CER 223K-B1E -CP
C842	08S65674Y05	CAP,CER 105KX5R1C-CP
C843	08S65674Y05	CAP,CER 105KX5R1C-CP
C903	08S65671Y01	CAP,CER 226KX5R1A-CP
C904	08S65671Y01	CAP,CER 226KX5R1A-CP
C905	08S65676Y05	CAP,CER 105KX7R1E-CP
C906	08S65671Y01	CAP,CER 226KX5R1A-CP

CDA-9833R

C907	08S65676Y05	CAP,CER 105KX7R1E-CP
CB002	09T03497K32	BTB,52465-3291 -E9
CB201	09T03498K03	WTB,53253-0310 -DB
CB511	09T03492K15	FFC,52271-1590 -ED
CB802	09T03498K02	WTB,53253-0210 -DB
CB803	09T03498K09	WTB,53253-0910 -DB
CB831	09T03498K02	WTB,53253-0210 -DB
CH101	09T25261Y22	FFC,SFW22R-1STE1 -EQ
D001	48T85357W01	DIO,1PS226 -CP
D003	48T25665Y01	DIO,1SS355-TE17 -CP
D004	48T25665Y01	DIO,1SS355-TE17 -CP
D101	48T45701Y01	DIO,MA2S728-TX -CP
D102	48T45701Y01	DIO,MA2S728-TX -CP
D103	48T45701Y01	DIO,MA2S728-TX -CP
D104	48T45701Y01	DIO,MA2S728-TX -CP
D201	48T25665Y01	DIO,1SS355-TE17 -CP
D301	48T95572W01	DIO,SHT MA736-TX -E1
D302	48T95572W01	DIO,SHT MA736-TX -E1
D311	48T25651W01	DIO,CP MA152WA
D312	48T25651W01	DIO,CP MA152WA
D313	48T25651W01	DIO,CP MA152WA
D501	48T45701Y01	DIO,MA2S728-TX -CP
D503	48T25665Y01	DIO,1SS355-TE17 -CP
D506	48T25665Y01	DIO,1SS355-TE17 -CP
D510	48T68828F11	DIO,1SS133 -RH
D513	48T25651W01	DIO,CP MA152WA
D514	48T25651W02	DIO,MA152WK-TX -CP
D601	48T25651W02	DIO,MA152WK-TX -CP
D602	48T85357W01	DIO,1PS226 -CP
D603	48T85357W01	DIO,1PS226 -CP
D802	48T25593Y01	DIO,S1G-6904 -E1
D805	48T25593Y01	DIO,S1G-6904 -E1
D811	48T25665Y01	DIO,1SS355-TE17 -CP
D831	48T81063F01	DIO,CP.MA159 / TX-CP
D854	48T25651W02	DIO,MA152WK-TX -CP
D855	48T25593Y01	DIO,S1G-6904 -E1
D860	48T68828F11	DIO,1SS133 -RH
D900	48T95572W01	DIO,SHT MA736-TX -E1
E001	23S45639Y07	CAP,ELY 10R-1C -R2
E003	23S45639Y08	CAP,ELY 22R-1C -R2
E004	23S45639Y05	CAP,ELY 101-1A -R2
E006	23S45639Y08	CAP,ELY 22R-1C -R2
E008	23S45639Y06	CAP,ELY 221-1A -R2
E101	23T55378W03	CAP,KMG 471-1A -R2
E102	23S45639Y06	CAP,ELY 221-1A -R2
E105	23S65134W13	CAP,ELY 101-0J(6)-E6
E106	23S65134W80	CAP,ELY 10R-1C(3)-E2
E201	23S65134W80	CAP,ELY 10R-1C(3)-E2
E202	23S65134W23	CAP,ELY 101-1A(6)-E6
E203	23S55039Y03	CAP,ELY 22R-1C -R2
E205	23S55039Y03	CAP,ELY 22R-1C -R2
E206	23S65134W62	CAP,ELY R22-1H(3)-E2
E216	23S45639Y24	CAP,ELY 3R3-1H -R2
E221	23S45639Y24	CAP,ELY 3R3-1H -R2
E229	23S65134W11	CAP,ELY 22R-0J(4)-E2
E230	23S45639Y06	CAP,ELY 221-1A -R2
E233	23S45639Y06	CAP,ELY 221-1A -R2

CDA-9833R

E304	23T25139Y10	CAP,PW 331-1C +
E305	23S65134W65	CAP,ELY 1R0-1H(3)-E2
E306	23T75479W38	CAP,VZ 102-1E -H5
E309	23T95564W41	CAP,FC 471-1C-G -EA
E310	23T75346W04	CAP,X-PRO 252-1D +
E324	23S95415W18	CAP,ELY 2R2-1H -R2
E325	23S45639Y07	CAP,ELY 10R-1C -R2
E331	23S65134W31	CAP,ELY 10R-1C(4)-E2
E332	23S65134W31	CAP,ELY 10R-1C(4)-E2
E333	23S65134W31	CAP,ELY 10R-1C(4)-E2
E334	23S65134W31	CAP,ELY 10R-1C(4)-E2
E501	23S55039Y01	CAP,ELY 221-0J -R2
E502	23S65134W32	CAP,ELY 22R-1C(5)-E3
E503	23S65134W34	CAP,ELY 47R-1C(6)-E6
E504	23S65134W12	CAP,ELY 47R-0J(5)-E3
E506	23S45639Y08	CAP,ELY 22R-1C -R2
E601	23S82372F08	CAP,ELY.10R-1C-BP-R2
E602	23S45639Y07	CAP,ELY 10R-1C -R2
E603	23S82372F08	CAP,ELY.10R-1C-BP-R2
E605	23S45639Y07	CAP,ELY 10R-1C -R2
E631	23S45639Y22	CAP,ELY 1R0-1H -R2
E801	23T75346W03	CAP,X-PRO 332-1C +
E802	23S45639Y09	CAP,ELY 47R-1C -R2
E803	23S95415W07	CAP,ELY 221-1C -R2
E804	23S45639Y09	CAP,ELY 47R-1C -R2
E805	23T55378W03	CAP,KMG 471-1A -R2
E807	23S95415W06	CAP,ELY 101-1C -R2
E808	23T25139Y10	CAP,PW 331-1C +
E809	23S95415W07	CAP,ELY 221-1C -R2
E820	23S65134W32	CAP,ELY 22R-1C(5)-E3
E821	23S45639Y10	CAP,ELY 101-1C -R2
E832	23S45639Y09	CAP,ELY 47R-1C -R2
E902	23S65134W32	CAP,ELY 22R-1C(5)-E3
E904	23S65134W32	CAP,ELY 22R-1C(5)-E3
E907	23S55039Y06	CAP,ELY 101-1C -R2
E908	23S55039Y06	CAP,ELY 101-1C -R2
F801	65T75477Y13	FUSE,CCP2E 4.0A -CP
IC001	51T35566Y01	MTP,D78F4216AGCXXXQT
IC002	51T15132Y02	SAA6588T -SE9
IC003	51T15731W10	TC7S66F-TE85L -CP
IC101	51T15362Y01	TC74HCT7007AFTP2-SE6
IC102	51T55517Y02	NJU7223DL1-33TE1-NE5
IC201	51T55517Y02	NJU7223DL1-33TE1-NE5
IC202	51T93340F02	NJM2060V-TE2 -SE2
IC205	51T15420Y01	BA4560F-E2 -SE2
IC207	51T15420Y01	BA4560F-E2 -SE2
IC208	51T35562Y03	CXD2729Q-3 -QT
IC301	51T93340F02	NJM2060V-TE2 -SE2
IC302	51T65184Y01	TB2901H -ZS
IC303	51T15426Y02	STK475-010 -IB
IC332	51T15647Y01	NJM4558V-TE2 -SE2
IC500	51T25045Y03	AN7705SP-TX -NE5
IC501	51T75208Y02	MTP,M30626FHPGPXXXQT
IC502	51T65778Y01	BR24L02F-W-E2 -SE2
IC504	51T25422Y02	TC7W04FK-TE85L -CP
IC505	51T93332F01	IC,NJM2903M-TE3 -SE2
IC601	51T93532F05	TC4S01F-TE85L -CP

CDA-9833R

IC602	51T15185Y01	TC7SH08FU-TE85L -CP
IC603	51T15185Y01	TC7SH08FU-TE85L -CP
IC604	51T55166Y01	NJM2100V-TE2 -SE2
IC605	51T65212Y01	BA8275F-E2 -SE2
IC801	51T45336Y01	L5952 -ZS
IC802	51T75063Y11	BD5233G-TR -CP
IC831	51T25448Y01	BA6219BFP-Y-E2 -SE9
IC901	51T65166Y01	MAX829EUK -CP
L001	24T25164Y21	IND,FSLM2520 4R7J-CP
L002	24T35286Y01	IND,MG56 523J -DB
L003	24T45464Y02	FBI,BLM18HG471SN1-CP
L004	24T45464Y02	FBI,BLM18HG471SN1-CP
L005	24T16403W29	COI,IND.15R-M -CP
L006	24T35401Y18	IND,HK1608 R027J -CP
L007	24T35401Y20	IND,HK1608 R039J -CP
L009	91T65112W06	EMI,BK2125HM102 -CP
L201	06S55364Y39	RES,RK JUMPER 1/8-CP
L202	91T65112W06	EMI,BK2125HM102 -CP
L203	91T65112W06	EMI,BK2125HM102 -CP
L204	91T65112W06	EMI,BK2125HM102 -CP
L800	24T25164Y21	IND,FSLM2520 4R7J-CP
L801	24T25164Y12	IND,FSLM2520 R82J-CP
L901	24T16271W21	IND,RCR-875D 102K +
L902	24T16271W21	IND,RCR-875D 102K +
L903	24T16271W21	IND,RCR-875D 102K +
LD601	48T65477W05	LED,SML-010DTT87 -CP
LD602	48T65477W05	LED,SML-010DTT87 -CP
PS801	48T95226W01	TMT,PTGL05BA1R8M1-R5
Q001	48T52437F05	TR ,2SB709A-S /TX-CP
Q002	48T64221F13	TR,UN211H-TX -CP
Q005	48T45594W16	TR,XN1A311-TX -CP
Q006	48T64222F01	TR ,UN2211 10-10 -TX
Q008	48T64222F02	TR ,UN2212 22-22 -TX
Q101	48T45594W12	TR ,XN1A312 -TX-CP
Q102	48T64222F11	TR,UN221F-TX -CP
Q103	48T84366F04	TR,2SB1243-QR-TV2-RD
Q201	48T45594W16	TR,XN1A311-TX -CP
Q304	48T64222F01	TR ,UN2211 10-10 -TX
Q311	48T25317Y01	TR,XN0F256-TX -CP
Q312	48T25317Y01	TR,XN0F256-TX -CP
Q313	48T25317Y01	TR,XN0F256-TX -CP
Q501	48T45594W12	TR ,XN1A312 -TX-CP
Q502	48T92368F04	TR,2SD1760 R -E5
Q505	48T52437F01	TR ,2SB709A-QR/TX-CP
Q506	48T64221F02	TR ,UN2112 22-22 -TX
Q507	48T52438F01	TR ,2SD601A-RS/TX-CP
Q601	48T64222F01	TR ,UN2211 10-10 -TX
Q602	48T52437F05	TR ,2SB709A-S /TX-CP
Q603	48T64222F02	TR ,UN2212 22-22 -TX
Q604	48T65619Y01	FET,HN1K06FU-85L -CP
Q606	48T64222F01	TR ,UN2211 10-10 -TX
Q803	48T84366F04	TR,2SB1243-QR-TV2-RD
Q804	48T64222F11	TR,UN221F-TX -CP
Q807	48T93828F04	TR,2SD1994A-S-TA -RD
Q808	48T93828F04	TR,2SD1994A-S-TA -RD
Q809	48T45594W12	TR ,XN1A312 -TX-CP
Q810	48T92368F04	TR,2SD1760 R -E5

Q812	48T73023F01	TR ,2SD874A -E2
Q813	48T45594W12	TR ,XN1A312 -TX-CP
Q815	48T45594W16	TR,XN1A311-TX -CP
Q817	48T45594W12	TR ,XN1A312 -TX-CP
Q821	48T45594W12	TR ,XN1A312 -TX-CP
Q825	48T45594W16	TR,XN1A311-TX -CP
Q841	48T64221F11	TR,UN211L-TX -CP
Q844	48T64222F02	TR ,UN2212 22-22 -TX
Q872	48T45594W12	TR ,XN1A312 -TX-CP
Q894	48T64222F02	TR ,UN2212 22-22 -TX
Q904	48T64221F13	TR,UN211H-TX -CP
Q905	48T64222F02	TR ,UN2212 22-22 -TX
R001	06S70072F05	RES,CP .10R-J-1/4-CP
R002	06S55366Y06	RES,RK 473J 1/10 -CP
R003	06S55365Y77	RES,RK 332J 1/10 -CP
R004	06S55361Y69	RES,RK 152J 1/4 -CP
R005	06S55361Y49	RES,RK 221J 1/4 -CP
R008	06S55365Y41	RES,RK 101J 1/10 -CP
R009	06S55365Y41	RES,RK 101J 1/10 -CP
R010	06S55366Y14	RES,RK 104J 1/10 -CP
R011	06S55366Y30	RES,RK 474J 1/10 -CP
R012	06S55366Y02	RES,RK 333J 1/10 -CP
R013	06S55365Y98	RES,RK 243J 1/10 -CP
R015	06S55365Y83	RES,RK 562J 1/10 -CP
R016	06S55365Y83	RES,RK 562J 1/10 -CP
R017	06S55365Y65	RES,RK 102J 1/10 -CP
R018	06S55365Y65	RES,RK 102J 1/10 -CP
R019	06S55365Y51	RES,RK 271J 1/10 -CP
R020	06S55365Y51	RES,RK 271J 1/10 -CP
R021	06S55365Y81	RES,RK 472J 1/10 -CP
R022	06S55366Y30	RES,RK 474J 1/10 -CP
R023	06S55366Y06	RES,RK 473J 1/10 -CP
R024	06S55366Y06	RES,RK 473J 1/10 -CP
R027	06S55365Y83	RES,RK 562J 1/10 -CP
R028	06S55365Y83	RES,RK 562J 1/10 -CP
R029	06S55366Y39	RES,RK JUMPER1/10-CP
R030	06S55366Y06	RES,RK 473J 1/10 -CP
R031	06S55365Y65	RES,RK 102J 1/10 -CP
R032	06S55365Y65	RES,RK 102J 1/10 -CP
R033	06S55365Y65	RES,RK 102J 1/10 -CP
R035	06S55365Y89	RES,RK 103J 1/10 -CP
R036	06S55366Y06	RES,RK 473J 1/10 -CP
R037	06S55365Y59	RES,RK 561J 1/10 -CP
R038	06S55365Y89	RES,RK 103J 1/10 -CP
R039	06S55365Y59	RES,RK 561J 1/10 -CP
R042	06S55366Y14	RES,RK 104J 1/10 -CP
R043	06S55365Y65	RES,RK 102J 1/10 -CP
R044	06S55365Y65	RES,RK 102J 1/10 -CP
R045	06S55365Y65	RES,RK 102J 1/10 -CP
R046	06S55365Y81	RES,RK 472J 1/10 -CP
R100	06S55364Y39	RES,RK JUMPER 1/8-CP
R101	06S55365Y89	RES,RK 103J 1/10 -CP
R102	06S55366Y06	RES,RK 473J 1/10 -CP
R103	06S55366Y02	RES,RK 333J 1/10 -CP
R104	06S55366Y06	RES,RK 473J 1/10 -CP
R105	06S55366Y08	RES,RK 563J 1/10 -CP
R106	06S55361Y89	RES,RK 103J 1/4 -CP

R107	06S55361Y60	RES,RK 621J 1/4 -CP
R108	06S55366Y06	RES,RK 473J 1/10 -CP
R109	06S55362Y39	RES,RK JUMPER 1/4-CP
R115	06S55366Y06	RES,RK 473J 1/10 -CP
R116	06S55366Y06	RES,RK 473J 1/10 -CP
R200	06S55364Y39	RES,RK JUMPER 1/8-CP
R201	06S55366Y39	RES,RK JUMPER1/10-CP
R202	06S55365Y73	RES,RK 222J 1/10 -CP
R203	06S55365Y73	RES,RK 222J 1/10 -CP
R210	06S55365Y97	RES,RK 223J 1/10 -CP
R211	06S55365Y89	RES,RK 103J 1/10 -CP
R212	06S55365Y67	RES,RK 122J 1/10 -CP
R213	06S55365Y65	RES,RK 102J 1/10 -CP
R214	06S55365Y99	RES,RK 273J 1/10 -CP
R215	06S55365Y69	RES,RK 152J 1/10 -CP
R216	06S55365Y75	RES,RK 272J 1/10 -CP
R217	06S55365Y67	RES,RK 122J 1/10 -CP
R219	06S55365Y69	RES,RK 152J 1/10 -CP
R220	06S55365Y75	RES,RK 272J 1/10 -CP
R222	06S55365Y97	RES,RK 223J 1/10 -CP
R223	06S55365Y67	RES,RK 122J 1/10 -CP
R224	06S55365Y69	RES,RK 152J 1/10 -CP
R225	06S55365Y75	RES,RK 272J 1/10 -CP
R226	06S55365Y94	RES,RK 163J 1/10 -CP
R227	06S55366Y14	RES,RK 104J 1/10 -CP
R228	06S55365Y92	RES,RK 133J 1/10 -CP
R229	06S55366Y12	RES,RK 823J 1/10 -CP
R230	06S55366Y12	RES,RK 823J 1/10 -CP
R231	06S55365Y94	RES,RK 163J 1/10 -CP
R232	06S55366Y14	RES,RK 104J 1/10 -CP
R236	06S55365Y92	RES,RK 133J 1/10 -CP
R238	06S45675W32	RES,RK 155J 1/10 -CP
R239	06S55365Y67	RES,RK 122J 1/10 -CP
R240	06S55365Y69	RES,RK 152J 1/10 -CP
R241	06S55365Y75	RES,RK 272J 1/10 -CP
R242	06S55365Y99	RES,RK 273J 1/10 -CP
R243	06S55365Y97	RES,RK 223J 1/10 -CP
R244	06S55365Y69	RES,RK 152J 1/10 -CP
R245	06S55365Y99	RES,RK 273J 1/10 -CP
R246	06S45675W32	RES,RK 155J 1/10 -CP
R248	06S55365Y67	RES,RK 122J 1/10 -CP
R249	06S55365Y69	RES,RK 152J 1/10 -CP
R250	06S55365Y75	RES,RK 272J 1/10 -CP
R251	06S55365Y94	RES,RK 163J 1/10 -CP
R254	06S55366Y12	RES,RK 823J 1/10 -CP
R255	06S55366Y12	RES,RK 823J 1/10 -CP
R256	06S55365Y94	RES,RK 163J 1/10 -CP
R259	06S55366Y28	RES,RK 394J 1/10 -CP
R260	06S55365Y67	RES,RK 122J 1/10 -CP
R261	06S55365Y69	RES,RK 152J 1/10 -CP
R262	06S55365Y75	RES,RK 272J 1/10 -CP
R263	06S55365Y99	RES,RK 273J 1/10 -CP
R266	06S55366Y33	RES,RK 624J 1/10 -CP
R267	06S55366Y39	RES,RK JUMPER1/10-CP
R285	06S55365Y88	RES,RK 912J 1/10 -CP
R286	06S55365Y66	RES,RK 112J 1/10 -CP
R287	06S55365Y66	RES,RK 112J 1/10 -CP

R289	06S55365Y91	RES,RK 123J 1/10 -CP
R290	06S55365Y97	RES,RK 223J 1/10 -CP
R291	06S55366Y30	RES,RK 474J 1/10 -CP
R292	06S55366Y20	RES,RK 184J 1/10 -CP
R302	06S55365Y65	RES,RK 102J 1/10 -CP
R303	06S55365Y67	RES,RK 122J 1/10 -CP
R304	06S55365Y69	RES,RK 152J 1/10 -CP
R305	06S55365Y69	RES,RK 152J 1/10 -CP
R306	06S55365Y67	RES,RK 122J 1/10 -CP
R307	06S55366Y06	RES,RK 473J 1/10 -CP
R308	06S55365Y67	RES,RK 122J 1/10 -CP
R310	06S55366Y12	RES,RK 823J 1/10 -CP
R311	06S55366Y12	RES,RK 823J 1/10 -CP
R312	06S55365Y75	RES,RK 272J 1/10 -CP
R313	06S55365Y75	RES,RK 272J 1/10 -CP
R314	06S55365Y95	RES,RK 183J 1/10 -CP
R315	06S55365Y95	RES,RK 183J 1/10 -CP
R316	06S55365Y97	RES,RK 223J 1/10 -CP
R317	06S55365Y97	RES,RK 223J 1/10 -CP
R318	06S55366Y12	RES,RK 823J 1/10 -CP
R319	06S55366Y12	RES,RK 823J 1/10 -CP
R320	06S55365Y67	RES,RK 122J 1/10 -CP
R321	06S55365Y67	RES,RK 122J 1/10 -CP
R322	06S55365Y95	RES,RK 183J 1/10 -CP
R323	06S55365Y95	RES,RK 183J 1/10 -CP
R324	06S55365Y97	RES,RK 223J 1/10 -CP
R325	06S55365Y97	RES,RK 223J 1/10 -CP
R326	06S55366Y14	RES,RK 104J 1/10 -CP
R327	06S55366Y14	RES,RK 104J 1/10 -CP
R328	06S55365Y69	RES,RK 152J 1/10 -CP
R329	06S55365Y69	RES,RK 152J 1/10 -CP
R330	06S55365Y95	RES,RK 183J 1/10 -CP
R331	06S55365Y95	RES,RK 183J 1/10 -CP
R332	06S55365Y97	RES,RK 223J 1/10 -CP
R333	06S55365Y97	RES,RK 223J 1/10 -CP
R338	06S55365Y49	RES,RK 221J 1/10 -CP
R339	06S55362Y34	RES,RK 684J 1/4 -CP
R341	06S55366Y39	RES,RK JUMPER1/10-CP
R342	06S55362Y11	RES,RK 753J 1/4 -CP
R343	06S55365Y75	RES,RK 272J 1/10 -CP
R344	06S55365Y75	RES,RK 272J 1/10 -CP
R351	06S55366Y09	RES,RK 623J 1/10 -CP
R352	06S55366Y09	RES,RK 623J 1/10 -CP
R353	06S55363Y49	RES,RK 221J 1/8 -CP
R354	06S55363Y49	RES,RK 221J 1/8 -CP
R355	06S55363Y41	RES,RK 101J 1/8 -CP
R356	06S55363Y41	RES,RK 101J 1/8 -CP
R361	06S55366Y09	RES,RK 623J 1/10 -CP
R362	06S55366Y09	RES,RK 623J 1/10 -CP
R363	06S55363Y49	RES,RK 221J 1/8 -CP
R364	06S55363Y49	RES,RK 221J 1/8 -CP
R365	06S55363Y41	RES,RK 101J 1/8 -CP
R366	06S55363Y41	RES,RK 101J 1/8 -CP
R370	06S55365Y65	RES,RK 102J 1/10 -CP
R371	06S55366Y05	RES,RK 433J 1/10 -CP
R372	06S55366Y05	RES,RK 433J 1/10 -CP
R373	06S55363Y49	RES,RK 221J 1/8 -CP

R374	06S55363Y49	RES,RK 221J 1/8 -CP
R375	06S55363Y41	RES,RK 101J 1/8 -CP
R376	06S55363Y41	RES,RK 101J 1/8 -CP
R390	06S55366Y26	RES,RK 334J 1/10 -CP
R500	06S55363Y59	RES,RK 561J 1/8 -CP
R501	06S55363Y59	RES,RK 561J 1/8 -CP
R502	06S55361Y91	RES,RK 123J 1/4 -CP
R503	06S55363Y65	RES,RK 102J 1/8 -CP
R504	06S55363Y59	RES,RK 561J 1/8 -CP
R505	06S55363Y65	RES,RK 102J 1/8 -CP
R506	06S55363Y65	RES,RK 102J 1/8 -CP
R507	06S55363Y65	RES,RK 102J 1/8 -CP
R508	06S55365Y97	RES,RK 223J 1/10 -CP
R509	06S55365Y97	RES,RK 223J 1/10 -CP
R510	06S55365Y81	RES,RK 472J 1/10 -CP
R511	06S55363Y65	RES,RK 102J 1/8 -CP
R512	06S55365Y89	RES,RK 103J 1/10 -CP
R513	06S55363Y89	RES,RK 103J 1/8 -CP
R514	06S55365Y81	RES,RK 472J 1/10 -CP
R515	06S55365Y67	RES,RK 122J 1/10 -CP
R516	06S55361Y17	RES,RK 10RJ 1/4 -CP
R517	06S55365Y89	RES,RK 103J 1/10 -CP
R518	06S55361Y31	RES,RK 39RJ 1/4 -CP
R519	06S55361Y31	RES,RK 39RJ 1/4 -CP
R520	06S55365Y73	RES,RK 222J 1/10 -CP
R521	06S55365Y69	RES,RK 152J 1/10 -CP
R522	06S55365Y85	RES,RK 682J 1/10 -CP
R523	06S55366Y06	RES,RK 473J 1/10 -CP
R524	06S55365Y01	RES,RK 2R2J 1/10 -CP
R526	06S55361Y31	RES,RK 39RJ 1/4 -CP
R527	06S55366Y30	RES,RK 474J 1/10 -CP
R528	06S55366Y39	RES,RK JUMPER1/10-CP
R529	06S55365Y77	RES,RK 332J 1/10 -CP
R530	06S55365Y53	RES,RK 331J 1/10 -CP
R531	06S55366Y06	RES,RK 473J 1/10 -CP
R532	06S55365Y53	RES,RK 331J 1/10 -CP
R533	06S55363Y75	RES,RK 272J 1/8 -CP
R534	06S55366Y39	RES,RK JUMPER1/10-CP
R535	06S55362Y39	RES,RK JUMPER 1/4-CP
R536	06S55365Y41	RES,RK 101J 1/10 -CP
R540	06S55361Y62	RES,RK 751J 1/4 -CP
R541	06S55365Y41	RES,RK 101J 1/10 -CP
R543	06S15593Y77	RES,RK 153F 1/10 -CP
R545	06S55365Y97	RES,RK 223J 1/10 -CP
R546	06S55365Y97	RES,RK 223J 1/10 -CP
R550	06S55366Y39	RES,RK JUMPER1/10-CP
R552	06S55366Y39	RES,RK JUMPER1/10-CP
R553	06S55365Y65	RES,RK 102J 1/10 -CP
R554	06S55365Y89	RES,RK 103J 1/10 -CP
R555	06S55366Y14	RES,RK 104J 1/10 -CP
R559	06S55365Y89	RES,RK 103J 1/10 -CP
R560	06S55365Y97	RES,RK 223J 1/10 -CP
R562	06S55365Y65	RES,RK 102J 1/10 -CP
R564	06S55365Y59	RES,RK 561J 1/10 -CP
R566	06S55365Y59	RES,RK 561J 1/10 -CP
R567	06S55365Y59	RES,RK 561J 1/10 -CP
R568	06S55365Y97	RES,RK 223J 1/10 -CP

R569	06S55365Y97	RES,RK 223J 1/10 -CP
R574	06S55365Y89	RES,RK 103J 1/10 -CP
R582	06S55366Y39	RES,RK JUMPER1/10-CP
R593	06S55366Y39	RES,RK JUMPER1/10-CP
R594	06S55365Y97	RES,RK 223J 1/10 -CP
R595	06S55361Y49	RES,RK 221J 1/4 -CP
R596	06S55365Y53	RES,RK 331J 1/10 -CP
R597	06S55365Y53	RES,RK 331J 1/10 -CP
R598	06S55361Y31	RES,RK 39RJ 1/4 -CP
R599	06S55365Y85	RES,RK 682J 1/10 -CP
R600	06S55365Y89	RES,RK 103J 1/10 -CP
R601	06S55365Y89	RES,RK 103J 1/10 -CP
R602	06S55361Y56	RES,RK 431J 1/4 -CP
R603	06S55365Y69	RES,RK 152J 1/10 -CP
R604	06S55365Y73	RES,RK 222J 1/10 -CP
R605	06S55361Y65	RES,RK 102J 1/4 -CP
R606	06S55363Y89	RES,RK 103J 1/8 -CP
R607	06S55365Y89	RES,RK 103J 1/10 -CP
R608	06S55365Y78	RES,RK 362J 1/10 -CP
R609	06S55365Y65	RES,RK 102J 1/10 -CP
R610	06S55365Y65	RES,RK 102J 1/10 -CP
R611	06S55366Y06	RES,RK 473J 1/10 -CP
R612	06S55366Y06	RES,RK 473J 1/10 -CP
R613	06S55365Y78	RES,RK 362J 1/10 -CP
R614	06S55365Y89	RES,RK 103J 1/10 -CP
R615	06S55365Y83	RES,RK 562J 1/10 -CP
R616	06S55365Y83	RES,RK 562J 1/10 -CP
R617	06S55366Y06	RES,RK 473J 1/10 -CP
R618	06S55365Y65	RES,RK 102J 1/10 -CP
R619	06S55365Y65	RES,RK 102J 1/10 -CP
R621	06S55365Y97	RES,RK 223J 1/10 -CP
R622	06S55366Y30	RES,RK 474J 1/10 -CP
R623	06S55365Y97	RES,RK 223J 1/10 -CP
R624	06S55365Y77	RES,RK 332J 1/10 -CP
R625	06S55365Y73	RES,RK 222J 1/10 -CP
R626	06S55361Y41	RES,RK 101J 1/4 -CP
R627	06S55365Y87	RES,RK 822J 1/10 -CP
R628	06S55365Y65	RES,RK 102J 1/10 -CP
R629	06S55365Y65	RES,RK 102J 1/10 -CP
R630	06S55365Y87	RES,RK 822J 1/10 -CP
R631	06S55365Y80	RES,RK 432J 1/10 -CP
R632	06S55365Y86	RES,RK 752J 1/10 -CP
R633	06S55365Y65	RES,RK 102J 1/10 -CP
R635	06S55365Y80	RES,RK 432J 1/10 -CP
R636	06S55365Y65	RES,RK 102J 1/10 -CP
R638	06S55361Y57	RES,RK 471J 1/4 -CP
R639	06S55365Y81	RES,RK 472J 1/10 -CP
R640	06S55361Y57	RES,RK 471J 1/4 -CP
R642	06S55365Y81	RES,RK 472J 1/10 -CP
R646	06S55366Y39	RES,RK JUMPER1/10-CP
R803	06S55361Y89	RES,RK 103J 1/4 -CP
R804	06S55362Y39	RES,RK JUMPER 1/4-CP
R807	06S55365Y01	RES,RK 2R2J 1/10 -CP
R808	06S15593Y63	RES,RK 392F 1/10 -CP
R809	06S15593Y83	RES,RK 273F 1/10 -CP
R810	06S55361Y81	RES,RK 472J 1/4 -CP
R812	06S55361Y81	RES,RK 472J 1/4 -CP

R814	06S55365Y01	RES,RK 2R2J 1/10 -CP
R815	06S55365Y01	RES,RK 2R2J 1/10 -CP
R816	06S55361Y55	RES,RK 391J 1/4 -CP
R817	06S55361Y41	RES,RK 101J 1/4 -CP
R819	06S45675W31	RES,RK 125J 1/10 -CP
R821	06S55366Y24	RES,RK 274J 1/10 -CP
R823	06S55361Y56	RES,RK 431J 1/4 -CP
R824	06S55366Y34	RES,RK 684J 1/10 -CP
R826	06S55365Y01	RES,RK 2R2J 1/10 -CP
R827	06S55361Y59	RES,RK 561J 1/4 -CP
R829	06S55366Y06	RES,RK 473J 1/10 -CP
R834	06S55361Y29	RES,RK 33RJ 1/4 -CP
R835	06S55361Y29	RES,RK 33RJ 1/4 -CP
R836	06S55361Y29	RES,RK 33RJ 1/4 -CP
R837	06S55361Y29	RES,RK 33RJ 1/4 -CP
R838	06S55361Y29	RES,RK 33RJ 1/4 -CP
R839	06S55361Y29	RES,RK 33RJ 1/4 -CP
R840	06S55365Y97	RES,RK 223J 1/10 -CP
R841	06S55366Y06	RES,RK 473J 1/10 -CP
R842	06S55361Y89	RES,RK 103J 1/4 -CP
R843	06S55365Y97	RES,RK 223J 1/10 -CP
R846	06S55365Y97	RES,RK 223J 1/10 -CP
R849	06S55365Y97	RES,RK 223J 1/10 -CP
R850	06S45348Y31	RES,RK 224F 1/4 -CP
R851	06S15593Y87	RES,RK 393F 1/10 -CP
R852	06S55365Y41	RES,RK 101J 1/10 -CP
R853	06S55365Y41	RES,RK 101J 1/10 -CP
R854	06S55361Y98	RES,RK 243J 1/4 -CP
R855	06S55361Y76	RES,RK 302J 1/4 -CP
R856	06S55361Y76	RES,RK 302J 1/4 -CP
R857	06S55361Y76	RES,RK 302J 1/4 -CP
R858	06S55361Y76	RES,RK 302J 1/4 -CP
R868	06S55361Y51	RES,RK 271J 1/4 -CP
R869	06S55361Y51	RES,RK 271J 1/4 -CP
R870	06S55365Y97	RES,RK 223J 1/10 -CP
R875	06S55365Y89	RES,RK 103J 1/10 -CP
R899	06S55365Y89	RES,RK 103J 1/10 -CP
R900	06S55361Y89	RES,RK 103J 1/4 -CP
RA001	06S45591W16	RES,ARY MNR223J 4-CP
RA002	06S45591W07	RES,ARY MNR101J 4-CP
RA201	06S45591W06	RES,ARY MNR102J 4-CP
RA502	06S45591W07	RES,ARY MNR101J 4-CP
SA001	48T81048F02	PTT,DSP-201M -RD
SD901	48T55453Y01	DIO,SHT RB471E-148CP
TH501	48T25250Y01	TMT,ERTJ1VV104J -CP
XL001	91T25806W18	XTL,4.332M -AT51-TP
XL002	91T55217Y03	XTL,NX8045GB 12.2-E5
XL201	91T55217Y06	XTL,NX8045GB 22.5-E5
XL502	91T55360Y06	XTL,6M-AT51-TP
Z001	91T45556Y06	EMI,NFM21HC102R1H-CP
Z002	91T15509Y08	EMI,BK1608HM102 -CP
Z003	91T15509Y08	EMI,BK1608HM102 -CP
Z007	91T15509Y08	EMI,BK1608HM102 -CP
Z008	91T15509Y08	EMI,BK1608HM102 -CP
Z010	91T15509Y08	EMI,BK1608HM102 -CP
Z201	91T75463W06	EMI,NFM41R11C102T-E1
Z202	91T75463W06	EMI,NFM41R11C102T-E1

Z501	91T15509Y08	EMI,BK1608HM102 -CP
Z601	91T45556Y06	EMI,NFM21HC102R1H-CP
Z602	91T45556Y06	EMI,NFM21HC102R1H-CP
ZD501	48T62934F37	DIO,ZEN.RD9.1MB2 -CP
ZD800	48T25064Y02	DIO,ZEN.ZSH5MA27A-ED
ZD801	48T25766W30	DIO,ZEN.HZS11B1L -R5
ZD802	48T25766W39	DIO,ZEN.HZS12B1L -R5
ZD803	48T62934F14	DIO,ZEN.RD4.3MB3 -CP
ZD804	48T62934F29	DIO,ZEN.RD6.8MB3 -CP
ZD805	48T25766W38	DIO,ZEN.HZS12A3L -R5

=====FRONT P.W.Board

C401	08S65670Y01	CAP,CER 106KX5R1C-CP
C402	08S35374W01	CAP,CER 104K-B1E-CP
C403	08S35374W01	CAP,CER 104K-B1E-CP
C404	08S35374W01	CAP,CER 104K-B1E-CP
C405	08S35374W01	CAP,CER 104K-B1E-CP
C406	08S35374W01	CAP,CER 104K-B1E-CP
C407	08S35374W01	CAP,CER 104K-B1E-CP
C408	08S35374W01	CAP,CER 104K-B1E-CP
C409	08S35374W01	CAP,CER 104K-B1E-CP
C410	08S65670Y01	CAP,CER 106KX5R1C-CP
C416	08S65674Y05	CAP,CER 105KX5R1C-CP
C417	08S45676W85	CAP,CER 104K-B1C -CP
C418	08S45677W42	CAP,CER.181J-CH1H-CP
C419	08S45677W42	CAP,CER.181J-CH1H-CP
C421	08S45677W42	CAP,CER.181J-CH1H-CP
C424	08S45676W80	CAP,CER 223K-B1E -CP
C425	08S45676W80	CAP,CER 223K-B1E -CP
C426	08S45676W85	CAP,CER 104K-B1C -CP
C427	08S45676W85	CAP,CER 104K-B1C -CP
C428	08S45676W85	CAP,CER 104K-B1C -CP
C429	08S45676W73	CAP,CER.103K-B1H -CP
C430	08S65670Y01	CAP,CER 106KX5R1C-CP
CL401	91T45281Y05	OSC,CER CSTCR5M00-E1
D406	48T85357W01	DIO,1PS226 -CP
D407	48T85357W01	DIO,1PS226 -CP
D408	48T85357W01	DIO,1PS226 -CP
D410	48T85357W01	DIO,1PS226 -CP
D411	48T85357W01	DIO,1PS226 -CP
D413	48T85357W01	DIO,1PS226 -CP
D414	48T81063F01	DIO,CP.MA159 / TX-CP
D415	48T94471F04	DIO,IMN10-T108 -CP
IC401	51T75214Y01	IC,D789025GB-XXX -QT
IC402	51T25284Y01	S1D15206F11A100 -QT
IC403	51T55628Y01	RS-671 -NE2
IC404	51T75189Y01	NJU6060V-TE1 -SE2
LD401	48T25534Y02	LED,RED BR1111C -CP
LD402	48T25534Y02	LED,RED BR1111C -CP
LD403	48T25534Y01	LED,GRN BG1111C -CP
LD404	48T25534Y01	LED,GRN BG1111C -CP
LD405	48T25534Y01	LED,GRN BG1111C -CP
LD406	48T25534Y01	LED,GRN BG1111C -CP
LD407	48T25534Y01	LED,GRN BG1111C -CP
LD408	48T25534Y01	LED,GRN BG1111C -CP
LD409	48T25534Y01	LED,GRN BG1111C -CP
LD410	48T25534Y01	LED,GRN BG1111C -CP

CDA-9833R

LD411	48T25534Y01	LED,GRN BG1111C	-CP
LD412	48T25534Y01	LED,GRN BG1111C	-CP
LD413	48T25534Y01	LED,GRN BG1111C	-CP
LD414	48T25534Y01	LED,GRN BG1111C	-CP
LD415	48T25534Y01	LED,GRN BG1111C	-CP
LD416	48T25534Y01	LED,GRN BG1111C	-CP
LD417	48T25534Y01	LED,GRN BG1111C	-CP
LD418	48T25534Y01	LED,GRN BG1111C	-CP
LD419	48T25534Y01	LED,GRN BG1111C	-CP
LD420	48T25534Y01	LED,GRN BG1111C	-CP
LD421	48T25534Y01	LED,GRN BG1111C	-CP
LD422	48T25534Y01	LED,GRN BG1111C	-CP
LD425	48T25534Y01	LED,GRN BG1111C	-CP
LD426	48T25534Y01	LED,GRN BG1111C	-CP
LD427	48T25534Y03	LED,AMB AA1111C	-CP
LD428	48T25534Y03	LED,AMB AA1111C	-CP
LD429	48T25534Y03	LED,AMB AA1111C	-CP
LD430	48T25534Y03	LED,AMB AA1111C	-CP
LD431	48T25534Y03	LED,AMB AA1111C	-CP
LD433	48T25534Y03	LED,AMB AA1111C	-CP
LD434	48T25534Y03	LED,AMB AA1111C	-CP
LD435	48T25534Y03	LED,AMB AA1111C	-CP
LD436	48T25534Y03	LED,AMB AA1111C	-CP
LD437	48T25534Y03	LED,AMB AA1111C	-CP
LD438	48T25534Y03	LED,AMB AA1111C	-CP
LD439	48T25534Y03	LED,AMB AA1111C	-CP
LD440	48T25534Y03	LED,AMB AA1111C	-CP
LD442	48T25534Y03	LED,AMB AA1111C	-CP
LD443	48T25534Y03	LED,AMB AA1111C	-CP
LD444	48T25534Y03	LED,AMB AA1111C	-CP
LD445	48T25534Y03	LED,AMB AA1111C	-CP
LD446	48T25534Y03	LED,AMB AA1111C	-CP
LD447	48T25534Y03	LED,AMB AA1111C	-CP
LD448	48T25534Y03	LED,AMB AA1111C	-CP
LD449	48T25534Y03	LED,AMB AA1111C	-CP
LD450	48T25534Y03	LED,AMB AA1111C	-CP
LD451	48T25534Y02	LED,RED BR1111C	-CP
LD452	48T25534Y02	LED,RED BR1111C	-CP
LD453	48T25534Y02	LED,RED BR1111C	-CP
LD454	48T25534Y02	LED,RED BR1111C	-CP
LD456	48T65708Y01	LED,WHT UW1149B	-E1
LD457	48T65708Y01	LED,WHT UW1149B	-E1
LD458	48T65708Y01	LED,WHT UW1149B	-E1
LD459	48T65708Y01	LED,WHT UW1149B	-E1
LD460	48T65708Y01	LED,WHT UW1149B	-E1
LD461	48T65708Y01	LED,WHT UW1149B	-E1
LD470	48T75183Y01	LED,R/G/B 1304B	-CP
Q401	48T64222F01	TR ,UN2211 10-10	-TX
Q402	48T64222F01	TR ,UN2211 10-10	-TX
Q403	48T64222F01	TR ,UN2211 10-10	-TX
Q404	48T64222F01	TR ,UN2211 10-10	-TX
Q405	48T63788F04	TR ,CP.2SD1328-T	-TX
Q406	48T63788F04	TR ,CP.2SD1328-T	-TX
Q407	48T52438F04	TR ,2SD601A-S /TX	-CP
Q408	48T52438F04	TR ,2SD601A-S /TX	-CP
Q413	48T52438F04	TR ,2SD601A-S /TX	-CP
Q414	48T52438F04	TR ,2SD601A-S /TX	-CP

Q415	48T73023F01	TR ,2SD874A	-E2
Q419	48T63788F04	TR ,CP.2SD1328-T	-TX
Q420	48T63788F04	TR ,CP.2SD1328-T	-TX
Q421	48T63788F04	TR ,CP.2SD1328-T	-TX
R401	06S55361Y87	RES,RK 822J 1/4	-CP
R402	06S55365Y01	RES,RK 2R2J 1/10	-CP
R403	06S55363Y65	RES,RK 102J 1/8	-CP
R404	06S55361Y87	RES,RK 822J 1/4	-CP
R405	06S55363Y65	RES,RK 102J 1/8	-CP
R406	06S55363Y65	RES,RK 102J 1/8	-CP
R407	06S55363Y65	RES,RK 102J 1/8	-CP
R408	06S55363Y65	RES,RK 102J 1/8	-CP
R409	06S55361Y51	RES,RK 271J 1/4	-CP
R411	06S55363Y41	RES,RK 101J 1/8	-CP
R412	06S55365Y65	RES,RK 102J 1/10	-CP
R413	06S55365Y65	RES,RK 102J 1/10	-CP
R414	06S55365Y65	RES,RK 102J 1/10	-CP
R415	06S55365Y89	RES,RK 103J 1/10	-CP
R416	06S55365Y89	RES,RK 103J 1/10	-CP
R417	06S45675W31	RES,RK 125J 1/10	-CP
R418	06S55366Y38	RES,RK 105J 1/10	-CP
R419	06S55366Y36	RES,RK 824J 1/10	-CP
R420	06S55361Y57	RES,RK 471J 1/4	-CP
R421	06S55361Y57	RES,RK 471J 1/4	-CP
R422	06S55361Y57	RES,RK 471J 1/4	-CP
R423	06S55361Y55	RES,RK 391J 1/4	-CP
R424	06S55366Y06	RES,RK 473J 1/10	-CP
R425	06S55361Y55	RES,RK 391J 1/4	-CP
R426	06S55363Y65	RES,RK 102J 1/8	-CP
R427	06S55363Y65	RES,RK 102J 1/8	-CP
R428	06S55361Y55	RES,RK 391J 1/4	-CP
R429	06S55361Y57	RES,RK 471J 1/4	-CP
R430	06S55366Y39	RES,RK JUMPER1/10	-CP
R431	06S55361Y53	RES,RK 331J 1/4	-CP
R432	06S55365Y65	RES,RK 102J 1/10	-CP
R437	06S55366Y06	RES,RK 473J 1/10	-CP
R440	06S55361Y53	RES,RK 331J 1/4	-CP
R441	06S55365Y65	RES,RK 102J 1/10	-CP
R442	06S55365Y81	RES,RK 472J 1/10	-CP
R443	06S55365Y69	RES,RK 152J 1/10	-CP
R444	06S55361Y53	RES,RK 331J 1/4	-CP
R445	06S55361Y57	RES,RK 471J 1/4	-CP
R446	06S55361Y57	RES,RK 471J 1/4	-CP
R447	06S55361Y57	RES,RK 471J 1/4	-CP
R448	06S55361Y55	RES,RK 391J 1/4	-CP
R449	06S55361Y55	RES,RK 391J 1/4	-CP
R450	06S55361Y55	RES,RK 391J 1/4	-CP
R451	06S55361Y57	RES,RK 471J 1/4	-CP
R452	06S55361Y51	RES,RK 271J 1/4	-CP
R453	06S55365Y81	RES,RK 472J 1/10	-CP
R454	06S55365Y81	RES,RK 472J 1/10	-CP
R455	06S55361Y57	RES,RK 471J 1/4	-CP
R456	06S55366Y39	RES,RK JUMPER1/10	-CP
R458	06S55361Y53	RES,RK 331J 1/4	-CP
R459	06S55361Y42	RES,RK 111J 1/4	-CP
R460	06S55361Y42	RES,RK 111J 1/4	-CP
R461	06S55361Y42	RES,RK 111J 1/4	-CP

R462	06S55361Y41	RES,RK 101J 1/4 -CP
R469	06S55365Y81	RES,RK 472J 1/10 -CP
R470	06S55365Y69	RES,RK 152J 1/10 -CP
R471	06S55363Y65	RES,RK 102J 1/8 -CP
R474	06S55366Y06	RES,RK 473J 1/10 -CP
R475	06S55366Y06	RES,RK 473J 1/10 -CP
R476	06S55366Y06	RES,RK 473J 1/10 -CP
R477	06S55366Y06	RES,RK 473J 1/10 -CP
R478	06S55366Y06	RES,RK 473J 1/10 -CP
R479	06S55361Y59	RES,RK 561J 1/4 -CP
R480	06S55361Y51	RES,RK 271J 1/4 -CP
R481	06S55365Y69	RES,RK 152J 1/10 -CP
R482	06S55365Y69	RES,RK 152J 1/10 -CP
R483	06S55366Y39	RES,RK JUMPER1/10-CP
R485	06S55364Y22	RES,RK 224J 1/8 -CP
R486	06S55361Y50	RES,RK 241J 1/4 -CP
R487	06S55365Y73	RES,RK 222J 1/10 -CP
R488	06S55361Y53	RES,RK 331J 1/4 -CP
R489	06S55361Y53	RES,RK 331J 1/4 -CP
R490	06S55361Y51	RES,RK 271J 1/4 -CP
RA401	06S45591W06	RES,ARY MNR102J 4-CP
RA402	06S45591W06	RES,ARY MNR102J 4-CP
RA403	06S45591W06	RES,ARY MNR102J 4-CP
SW401	40T65353Y01	SW,TACT SKRSPACE010E2 (SOURCE/POWER)
SW402	40T65353Y01	SW,TACT SKRSPACE010E2 (FWD/UP)
SW403	40T65353Y01	SW,TACT SKRSPACE010E2 (FOLDER SEARCH/Q.S.)
SW404	40T65353Y01	SW,TACT SKRSPACE010E2 (3/PTY)
SW405	40T65353Y01	SW,TACT SKRSPACE010E2 (PLAY/PAUSE/TUNE/A.ME)
SW406	40T65353Y01	SW,TACT SKRSPACE010E2 (TITLE)
SW407	40T65353Y01	SW,TACT SKRSPACE010E2 (4/REPEAT)
SW408	40T65353Y01	SW,TACT SKRSPACE010E2 (BAND/TEL.)
SW409	40T65353Y01	SW,TACT SKRSPACE010E2 (T.INFO)
SW410	40T65353Y01	SW,TACT SKRSPACE010E2 (F)
SW411	40T65353Y01	SW,TACT SKRSPACE010E2 (DISP/B.OUT)
SW412	40T65353Y01	SW,TACT SKRSPACE010E2 (MENU/i-Personalize)
SW413	40T65353Y01	SW,TACT SKRSPACE010E2 (1/AF)
SW414	40T65353Y01	SW,TACT SKRSPACE010E2 (5/M.I.X.)
SW415	40T65353Y01	SW,TACT SKRSPACE010E2 (EJECT)
SW416	40T65353Y01	SW,TACT SKRSPACE010E2 (BWD/DN)
SW417	40T65353Y01	SW,TACT SKRSPACE010E2 (MX)

SW418	40T65353Y01	SW,TACT SKRSPACE010E2 (2/P.PTY)
SW419	40T65353Y01	SW,TACT SKRSPACE010E2 (6/SCAN)
SW420	40T65353Y01	SW,TACT SKRSPACE010E2 (TILT UP/DN)
SW422	40T65353Y01	SW,TACT SKRSPACE010E2 (RESET)
SW424	40T65353Y01	SW,TACT SKRSPACE010E2 (FOLDER UP)
SW425	40T65353Y01	SW,TACT SKRSPACE010E2 (FOLDER DOWN)
TH401	48T25250Y01	TMT,ERTJ1VV104J -CP
ZD401	48T84735F21	DIO,ZEN.MA3082-H -CP

=====TUNER MULTI P.W.Board

C1001	08S65128F78	CAP,CER.223K-B1H -CP
C1002	08S82122F25	CAP,CER.33RJ-CH1H-CP
C1003	08S45677W60	CAP,CER 102J-CH1H-CP
C1004	08S45677W24	CAP,CER 33RJ-CH1H-CP
C1005	08S45677W24	CAP,CER 33RJ-CH1H-CP
C1006	08S45677W04	CAP,CER.2R0C-CH1H-CP
C1007	08S45677W07	CAP,CER.5R0C-CH1H-CP
C1009	08S45677W12	CAP,CER.10RD-CH1H-CP
C1010	08S45676W73	CAP,CER.103K-B1H -CP
C1011	08S45676W85	CAP,CER 104K-B1C -CP
C1012	08S45676W69	CAP,CER.472K-B1H -CP
C1013	08S45676W73	CAP,CER.103K-B1H -CP
C1014	08S45677W60	CAP,CER 102J-CH1H-CP
C1015	08S45677W32	CAP,CER.68RJ-CH1H-CP
C1016	08S45677W36	CAP,CER.101J-CH1H-CP
C1017	08S45676W73	CAP,CER.103K-B1H -CP
C1018	08S45676W85	CAP,CER 104K-B1C -CP
C1019	08S45676W85	CAP,CER 104K-B1C -CP
C1020	08S45676W85	CAP,CER 104K-B1C -CP
C1021	08S45676W80	CAP,CER 223K-B1E -CP
C1022	08S45676W68	CAP,CER.392K-B1H -CP
C1023	08S45677W38	CAP,CER 121J-CH1H-CP
C1024	08S45676W73	CAP,CER.103K-B1H -CP
C1025	08S45676W73	CAP,CER.103K-B1H -CP
C1026	08S65674Y05	CAP,CER 105KX5R1C-CP
C1027	08S45676W85	CAP,CER 104K-B1C -CP
C1028	08S45676W85	CAP,CER 104K-B1C -CP
C1029	08S65674Y05	CAP,CER 105KX5R1C-CP
C1030	08S65674Y05	CAP,CER 105KX5R1C-CP
C1031	08S45676W80	CAP,CER 223K-B1E -CP
C1032	08S45677W32	CAP,CER.68RJ-CH1H-CP
C1033	08S45676W73	CAP,CER.103K-B1H -CP
C1034	08S45676W85	CAP,CER 104K-B1C -CP
C1035	08S45677W02	CAP,CER 1R0C-CH1H-CP
C1036	08S45677W20	CAP,CER.22RJ-CH1H-CP
C1037	08S45677W16	CAP,CER.15RJ-CH1H-CP
C1038	08S45676W85	CAP,CER 104K-B1C -CP
C1039	08S45676W85	CAP,CER 104K-B1C -CP
C1040	08S45676W73	CAP,CER.103K-B1H -CP
C1041	08S45676W65	CAP,CER.222K-B1H -CP
C1042	08S45677W60	CAP,CER 102J-CH1H-CP

C1043	08S45676W73	CAP,CER.103K-B1H -CP
C1044	08S45676W80	CAP,CER 223K-B1E -CP
C1045	08S45676W80	CAP,CER 223K-B1E -CP
C1046	08S45676W80	CAP,CER 223K-B1E -CP
C1047	08S45677W05	CAP,CER.3R0C-CH1H-CP
C1048	08S45677W12	CAP,CER.10RD-CH1H-CP
C1049	08S45677W12	CAP,CER.10RD-CH1H-CP
C1050	08S45676W73	CAP,CER.103K-B1H -CP
C1051	08S45676W73	CAP,CER.103K-B1H -CP
C1052	08S45677W12	CAP,CER.10RD-CH1H-CP
C1053	08S45676W73	CAP,CER.103K-B1H -CP
C1054	08S45676W73	CAP,CER.103K-B1H -CP
C1055	08S45677W36	CAP,CER.101J-CH1H-CP
C1056	08S45676W80	CAP,CER 223K-B1E -CP
C1057	08S45676W73	CAP,CER.103K-B1H -CP
C1058	08S65674Y05	CAP,CER 105KX5R1C-CP
C1060	08S65669Y02	CAP,CER 474KX7R1E-CP
C1061	08S65669Y02	CAP,CER 474KX7R1E-CP
C1201	08S45676W75	CAP,CER.153K-B1H -CP
C1205	08S45676W85	CAP,CER 104K-B1C -CP
C1206	08S45677W60	CAP,CER 102J-CH1H-CP
C1211	08S45677W36	CAP,CER.101J-CH1H-CP
C1214	08S45676W73	CAP,CER.103K-B1H -CP
C1216	08S65667Y04	CAP,CER 684KX5R1A-CP
C1217	08S45676W73	CAP,CER.103K-B1H -CP
C1218	08S45676W73	CAP,CER.103K-B1H -CP
C1219	08S45676W85	CAP,CER 104K-B1C -CP
C1220	08S45677W60	CAP,CER 102J-CH1H-CP
C1221	08S45676W85	CAP,CER 104K-B1C -CP
C1222	08S45676W85	CAP,CER 104K-B1C -CP
C1223	08S45676W85	CAP,CER 104K-B1C -CP
C1224	08S45676W85	CAP,CER 104K-B1C -CP
C1225	08S45676W85	CAP,CER 104K-B1C -CP
CB1001	09T65422W17	PIN,IMSA6029B-17Z-DB
CB1002	09T03499K32	BTB,53309-3291 -E9
CF1001	91T35405W02	CERFIL,SFELA10M7 -DB
CF1002	91T35405W02	CERFIL,SFELA10M7 -DB
CF1003	91T35405W02	CERFIL,SFELA10M7 -DB
D1002	48T65157W01	DIO,VAR KV1410 -XX
D1003	48T65157W01	DIO,VAR KV1410 -XX
D1004	48T65157W01	DIO,VAR KV1410 -XX
D1005	48T68806F01	DIO,1SV172/L -CP
D1013	48T68806F01	DIO,1SV172/L -CP
E1006	23S55039Y02	CAP,ELY 10R-1C -R2
E1007	23S65134W31	CAP,ELY 10R-1C(4)-E2
E1008	23S65134W31	CAP,ELY 10R-1C(4)-E2
E1011	23S55039Y02	CAP,ELY 10R-1C -R2
E1012	23S45639Y08	CAP,ELY 22R-1C -R2
E1014	23S65134W31	CAP,ELY 10R-1C(4)-E2
E1015	23S65134W31	CAP,ELY 10R-1C(4)-E2
E1201	23S45639Y08	CAP,ELY 22R-1C -R2
E1204	23S65134W31	CAP,ELY 10R-1C(4)-E2
E1205	23S65134W31	CAP,ELY 10R-1C(4)-E2
IC1001	51T65382Y01	TDA7518 -QT
IC1002	51T93333F01	NJM2904M-TE3 -SE2
IFT1001	24T45563Y01	COIL,IFT1 F/A 5PG-DB
IFT1002	24T45563Y02	COIL,IFT2 AM 5PG -DB

L1001	91T15509Y08	EMI,BK1608HM102 -CP
L1002	91T15509Y08	EMI,BK1608HM102 -CP
L1005	91T15509Y08	EMI,BK1608HM102 -CP
L1006	24T65176W37	IND,NL453232 102J-E2
L1007	24T25164Y35	IND,FSLM2520 68RJ-CP
L1010	24T65176W37	IND,NL453232 102J-E2
L1013	91T15509Y08	EMI,BK1608HM102 -CP
L1014	91T15509Y08	EMI,BK1608HM102 -CP
L1017	91T15509Y08	EMI,BK1608HM102 -CP
L1018	91T15509Y08	EMI,BK1608HM102 -CP
L1019	24T25164Y11	IND,FSLM2520 R68J-CP
L1020	24T25164Y17	IND,FSLM2520 2R2J-CP
L1021	24T25164Y12	IND,FSLM2520 R82J-CP
Q1003	48T16465W01	FET,CP.3SK195-Y-R
Q1004	48T15606Y01	FET,FC18-TL -CP
R1004	06S55365Y25	RES,RK 22RJ 1/10 -CP
R1005	06S55365Y25	RES,RK 22RJ 1/10 -CP
R1007	06S55365Y73	RES,RK 222J 1/10 -CP
R1008	06S55365Y65	RES,RK 102J 1/10 -CP
R1009	06S55365Y73	RES,RK 222J 1/10 -CP
R1010	06S55366Y38	RES,RK 105J 1/10 -CP
R1011	06S55365Y81	RES,RK 472J 1/10 -CP
R1012	06S55365Y17	RES,RK 10RJ 1/10 -CP
R1013	06S55366Y14	RES,RK 104J 1/10 -CP
R1015	06S55365Y97	RES,RK 223J 1/10 -CP
R1016	06S55365Y89	RES,RK 103J 1/10 -CP
R1017	06S55365Y41	RES,RK 101J 1/10 -CP
R1018	06S55366Y08	RES,RK 563J 1/10 -CP
R1019	06S55365Y81	RES,RK 472J 1/10 -CP
R1020	06S55366Y14	RES,RK 104J 1/10 -CP
R1023	06S55365Y83	RES,RK 562J 1/10 -CP
R1024	06S55365Y61	RES,RK 681J 1/10 -CP
R1028	06S55366Y14	RES,RK 104J 1/10 -CP
R1029	06S55366Y08	RES,RK 563J 1/10 -CP
R1030	06S55365Y83	RES,RK 562J 1/10 -CP
R1034	06S55365Y17	RES,RK 10RJ 1/10 -CP
R1037	06S55366Y08	RES,RK 563J 1/10 -CP
R1038	06S55365Y17	RES,RK 10RJ 1/10 -CP
R1043	06S55365Y09	RES,RK 4R7J 1/10 -CP
R1044	06S55365Y09	RES,RK 4R7J 1/10 -CP
R1045	06S55365Y17	RES,RK 10RJ 1/10 -CP
R1050	06S55365Y91	RES,RK 123J 1/10 -CP
R1211	06S55365Y73	RES,RK 222J 1/10 -CP
R1215	06S55361Y66	RES,RK 112J 1/4 -CP
R1216	06S55361Y66	RES,RK 112J 1/4 -CP
R1218	06S55365Y66	RES,RK 112J 1/10 -CP
VT1001	24T45428Y04	COIL,ANT1 FM 5KR -DB
VT1002	24T45429Y04	COIL,RF FM 5KR -DB
VT1003	24T45427Y03	COIL,OSC F/A 5KR -DB
XL1001	91T45560Y01	XTL,HC-49 10.25M -R5
XL1002	91T15651Y02	CERFIL,CFWLA450K -DB

=====DP-S MAIN P.W.Board

C101	08S45676W73	CAP,CER.103K-B1H -CP
C102	08S45676W73	CAP,CER.103K-B1H -CP
C103	08S45676W73	CAP,CER.103K-B1H -CP

C104	08S45676W73	CAP,CER.103K-B1H -CP
C105	08S45676W73	CAP,CER.103K-B1H -CP
C106	08S45676W73	CAP,CER.103K-B1H -CP
C107	08S45676W73	CAP,CER.103K-B1H -CP
C108	08S45676W73	CAP,CER.103K-B1H -CP
C109	08S45676W73	CAP,CER.103K-B1H -CP
C110	08S45676W73	CAP,CER.103K-B1H -CP
C112	08S45676W73	CAP,CER.103K-B1H -CP
C113	08S45676W73	CAP,CER.103K-B1H -CP
C116	08S45677W12	CAP,CER.10RD-CH1H-CP
C118	08S45676W73	CAP,CER.103K-B1H -CP
C120	08S45676W73	CAP,CER.103K-B1H -CP
C121	08S45676W85	CAP,CER 104K-B1C -CP
C122	08S45676W85	CAP,CER 104K-B1C -CP
C123	08S45676W73	CAP,CER.103K-B1H -CP
C124	08S45676W73	CAP,CER.103K-B1H -CP
C125	08S45676W73	CAP,CER.103K-B1H -CP
C126	08S45677W12	CAP,CER.10RD-CH1H-CP
C133	08S45676W73	CAP,CER.103K-B1H -CP
C134	08S45676W68	CAP,CER.392K-B1H -CP
C135	08S45676W73	CAP,CER.103K-B1H -CP
C201	08S45676W66	CAP,CER.272K-B1H -CP
C202	08S45676W66	CAP,CER.272K-B1H -CP
C203	08S45676W93	CAP,CER 224K-B1A -CP
C204	08S45676W85	CAP,CER 104K-B1C -CP
C206	08S45677W46	CAP,CER 271J-CH1H-CP
C207	08S45676W70	CAP,CER 562K-B1H -CP
C208	08S45676W85	CAP,CER 104K-B1C -CP
C210	08S45676W85	CAP,CER 104K-B1C -CP
C211	08S45676W93	CAP,CER 224K-B1A -CP
C212	08S45676W73	CAP,CER.103K-B1H -CP
C213	08S45676W85	CAP,CER 104K-B1C -CP
C214	08S45676W85	CAP,CER 104K-B1C -CP
C215	08S45676W85	CAP,CER 104K-B1C -CP
C216	08S45677W60	CAP,CER 102J-CH1H-CP
C401	08S45676W85	CAP,CER 104K-B1C -CP
C402	08S45676W85	CAP,CER 104K-B1C -CP
C403	08S45677W38	CAP,CER 121J-CH1H-CP
C404	08S45677W34	CAP,CER.82RJ-CH1H-CP
C406	08S45676W67	CAP,CER.332K-B1H -CP
C407	08S45676W73	CAP,CER.103K-B1H -CP
C408	08S45676W85	CAP,CER 104K-B1C -CP
C409	08S45676W85	CAP,CER 104K-B1C -CP
C410	08S45676W73	CAP,CER.103K-B1H -CP
C412	08S45676W85	CAP,CER 104K-B1C -CP
C413	08S35350Y05	CAP,CER 105K-B1A -CP
C414	08S45676W86	CAP,CER 273K-B1E -CP
C415	08S45676W72	CAP,CER 822K-B1H -CP
C418	08S45677W54	CAP,CER 561J-CH1H-CP
C419	08S45676W86	CAP,CER 273K-B1E -CP
C420	08S45676W73	CAP,CER.103K-B1H -CP
C421	08S45677W01	CAP,CER 0R5C-CH1H-CP
C422	08S45677W01	CAP,CER 0R5C-CH1H-CP
C423	08S45677W01	CAP,CER 0R5C-CH1H-CP
C424	08S45677W01	CAP,CER 0R5C-CH1H-CP
C425	08S45677W34	CAP,CER.82RJ-CH1H-CP
C427	08S45676W85	CAP,CER 104K-B1C -CP

CDA-9833R

C501	08S35350Y05	CAP,CER 105K-B1A -CP
C502	08S35350Y05	CAP,CER 105K-B1A -CP
C503	08S45677W60	CAP,CER 102J-CH1H-CP
C504	08S45677W60	CAP,CER 102J-CH1H-CP
C505	08S45677W60	CAP,CER 102J-CH1H-CP
C506	08S45677W60	CAP,CER 102J-CH1H-CP
C510	08S45676W85	CAP,CER 104K-B1C -CP
C551	08S45676W85	CAP,CER 104K-B1C -CP
C552	08S45676W85	CAP,CER 104K-B1C -CP
C601	08S45676W80	CAP,CER 223K-B1E -CP
C602	08S45677W44	CAP,CER.221J-CH1H-CP
C603	08S45677W44	CAP,CER.221J-CH1H-CP
CB101	09T45435W22	FFC,52207-2290 -EQ
CB102	09T45435W15	FFC,52207-1590 -ED
CB103	09T45435W07	FFC,52207-0790 -E9
CB104	09T35236Y22	BTB,IMSA9851S-22Y-EQ
D601	48T81063F01	DIO,CP.MA159 / TX-CP
E101	23T65680Y09	CAP,UD 101-OJ -E2
E102	23T65680Y09	CAP,UD 101-OJ -E2
E104	23T45152Y04	CAP,RA 10R-1C -E5
E105	23T45152Y04	CAP,RA 10R-1C -E5
E106	23T45152Y04	CAP,RA 10R-1C -E5
E401	23S55311W35	CAP,TAN 10R-1C-B -CP
E402	23S55311W35	CAP,TAN 10R-1C-B -CP
E403	23T45152Y02	CAP,RA 47R-05 -E5
E405	08S65671Y01	CAP,CER 226KX5R1A-CP
E501	23T45152Y03	CAP,RA 22R-OJ -E5
E502	23T45152Y03	CAP,RA 22R-OJ -E5
E504	23T45152Y04	CAP,RA 10R-1C -E5
E505	23T45152Y03	CAP,RA 22R-OJ -E5
E551	23T45152Y03	CAP,RA 22R-OJ -E5
E601	23T45152Y04	CAP,RA 10R-1C -E5
IC101	51T65495Y01	TMS320DA150PGE160-QT
IC103	51T65581Y01	MBM29DL800BA-90 -ST
IC104	51T65586Y01	TC74VHC139FT -SE5
IC107	51T35445Y01	TC7WHU04FU-TE12L-SE1
IC108	51T55184Y04	TAR5S16-TE85L -CP
IC109	51T65074Y13	S-80927CLMC-T2 -CP
IC110	51T35316Y01	TC7S14FU-TE85L -CP
IC201	51T55223Y02	MN6627482WB -QT
IC401	51T45331Y01	AN22000A-E1 -SE9
IC501	51T16025W01	IC,NJM2100M-TE3-SE03
IC503	51T35410Y01	S-817A33ANB-T2 -CP
IC504	51T11054W02	NJM78L05UA-TE1 -NE2
IC601	51T55093Y01	BA5984FP-E2 -SEA
L102	24T25164Y21	IND,FSLM2520 4R7J-CP
L104	24T25164Y21	IND,FSLM2520 4R7J-CP
Q401	48T55462Y01	TR,2SB1132-QR-100-E2
R101	06S45674W97	RES,RK 473J 1/10 -CP
R102	06S45674W97	RES,RK 473J 1/10 -CP
R103	06S45674W97	RES,RK 473J 1/10 -CP
R104	06S45674W97	RES,RK 473J 1/10 -CP
R105	06S45674W97	RES,RK 473J 1/10 -CP
R106	06S45674W97	RES,RK 473J 1/10 -CP
R107	06S45674W97	RES,RK 473J 1/10 -CP
R108	06S45674W97	RES,RK 473J 1/10 -CP
R109	06S45674W97	RES,RK 473J 1/10 -CP

R110	06S45674W97	RES,RK 473J 1/10 -CP
R113	06S45674W97	RES,RK 473J 1/10 -CP
R114	06S45674W97	RES,RK 473J 1/10 -CP
R115	06S45674W97	RES,RK 473J 1/10 -CP
R116	06S45674W33	RES,RK 101J 1/10 -CP
R119	06S45675W06	RES,RK 104J 1/10 -CP
R121	06S45674W89	RES,RK 223J 1/10 -CP
R122	06S45674W89	RES,RK 223J 1/10 -CP
R124	06S45674W97	RES,RK 473J 1/10 -CP
R125	06S45674W97	RES,RK 473J 1/10 -CP
R126	06S45674W97	RES,RK 473J 1/10 -CP
R127	06S45674W97	RES,RK 473J 1/10 -CP
R129	06S45674W41	RES,RK 221J 1/10 -CP
R130	06S45675W43	RES,RK JUMPER1/10-CP
R135	06S45675W43	RES,RK JUMPER1/10-CP
R137	06S45674W21	RES,RK 33RJ 1/10 -CP
R138	06S45675W30	RES,RK 105J 1/10 -CP
R140	06S45674W21	RES,RK 33RJ 1/10 -CP
R141	06S45674W33	RES,RK 101J 1/10 -CP
R142	06S45675W43	RES,RK JUMPER1/10-CP
R143	06S45675W43	RES,RK JUMPER1/10-CP
R144	06S45675W43	RES,RK JUMPER1/10-CP
R145	06S45675W43	RES,RK JUMPER1/10-CP
R146	06S45674W33	RES,RK 101J 1/10 -CP
R147	06S45674W33	RES,RK 101J 1/10 -CP
R148	06S45674W33	RES,RK 101J 1/10 -CP
R151	06S45674W33	RES,RK 101J 1/10 -CP
R152	06S45674W33	RES,RK 101J 1/10 -CP
R201	06S45674W97	RES,RK 473J 1/10 -CP
R202	06S45675W43	RES,RK JUMPER1/10-CP
R204	06S45675W14	RES,RK 224J 1/10 -CP
R207	06S45675W43	RES,RK JUMPER1/10-CP
R208	06S45674W41	RES,RK 221J 1/10 -CP
R209	06S45675W04	RES,RK 823J 1/10 -CP
R210	06S45675W06	RES,RK 104J 1/10 -CP
R213	06S45674W97	RES,RK 473J 1/10 -CP
R214	06S45674W97	RES,RK 473J 1/10 -CP
R218	06S45675W43	RES,RK JUMPER1/10-CP
R219	06S45675W43	RES,RK JUMPER1/10-CP
R401	06S45674W82	RES,RK 113J 1/10 -CP
R402	06S45675W43	RES,RK JUMPER1/10-CP
R403	06S45675W43	RES,RK JUMPER1/10-CP
R404	06S45674W82	RES,RK 113J 1/10 -CP
R405	06S55366Y23	RES,RK 244J 1/10 -CP
R406	06S45675W14	RES,RK 224J 1/10 -CP
R407	06S45674W95	RES,RK 393J 1/10 -CP
R408	06S55366Y08	RES,RK 563J 1/10 -CP
R409	06S45675W43	RES,RK JUMPER1/10-CP
R410	06S45674W81	RES,RK 103J 1/10 -CP
R414	06S45674W89	RES,RK 223J 1/10 -CP
R415	06S45674W81	RES,RK 103J 1/10 -CP
R417	06S45675W43	RES,RK JUMPER1/10-CP
R418	06S70072F90	RES,CP .1R0-J-1/4-CP
R419	06S45674W71	RES,RK 392J 1/10 -CP
R420	06S45674W77	RES,RK 682J 1/10 -CP
R421	06S45674W65	RES,RK 222J 1/10 -CP
R422	06S45674W55	RES,RK 821J 1/10 -CP

R428	06S45674W65	RES,RK 222J 1/10 -CP
R430	06S45674W55	RES,RK 821J 1/10 -CP
R435	06S45674W89	RES,RK 223J 1/10 -CP
R501	06S55365Y96	RES,RK 203J 1/10 -CP
R502	06S55365Y96	RES,RK 203J 1/10 -CP
R503	06S55365Y97	RES,RK 223J 1/10 -CP
R504	06S55365Y97	RES,RK 223J 1/10 -CP
R505	06S55365Y79	RES,RK 392J 1/10 -CP
R506	06S55365Y79	RES,RK 392J 1/10 -CP
R507	06S55365Y79	RES,RK 392J 1/10 -CP
R508	06S55365Y79	RES,RK 392J 1/10 -CP
R509	06S55366Y14	RES,RK 104J 1/10 -CP
R510	06S55366Y14	RES,RK 104J 1/10 -CP
R511	06S55365Y89	RES,RK 103J 1/10 -CP
R512	06S55365Y89	RES,RK 103J 1/10 -CP
R513	06S55365Y89	RES,RK 103J 1/10 -CP
R514	06S55365Y89	RES,RK 103J 1/10 -CP
R515	06S55365Y49	RES,RK 221J 1/10 -CP
R516	06S55365Y49	RES,RK 221J 1/10 -CP
R517	06S55365Y93	RES,RK 153J 1/10 -CP
R518	06S55365Y93	RES,RK 153J 1/10 -CP
R519	06S55365Y89	RES,RK 103J 1/10 -CP
R520	06S55365Y89	RES,RK 103J 1/10 -CP
R550	06S45674W13	RES,RK 15RJ 1/10 -CP
R551	06S45674W13	RES,RK 15RJ 1/10 -CP
R603	06S45674W89	RES,RK 223J 1/10 -CP
R604	06S45674W89	RES,RK 223J 1/10 -CP
R605	06S45674W81	RES,RK 103J 1/10 -CP
R606	06S45674W81	RES,RK 103J 1/10 -CP
R607	06S45675W43	RES,RK JUMPER1/10-CP
R608	06S45674W89	RES,RK 223J 1/10 -CP
R609	06S45674W73	RES,RK 472J 1/10 -CP
R610	06S45674W33	RES,RK 101J 1/10 -CP
R611	06S45674W93	RES,RK 333J 1/10 -CP
R612	06S45674W85	RES,RK 153J 1/10 -CP
R613	06S45674W33	RES,RK 101J 1/10 -CP
R616	06S45675W43	RES,RK JUMPER1/10-CP
R617	06S45674W97	RES,RK 473J 1/10 -CP
R618	06S45674W33	RES,RK 101J 1/10 -CP
R619	06S45674W89	RES,RK 223J 1/10 -CP
R620	06S45674W33	RES,RK 101J 1/10 -CP
R621	06S45675W43	RES,RK JUMPER1/10-CP
R622	06S45675W22	RES,RK 474J 1/10 -CP
RA101	06S45591W02	RES,ARY MNR473J 4-CP
RA102	06S45591W02	RES,ARY MNR473J 4-CP
RA103	06S45591W02	RES,ARY MNR473J 4-CP
RA104	06S45591W07	RES,ARY MNR101J 4-CP
RA105	06S45591W07	RES,ARY MNR101J 4-CP
RA106	06S45591W07	RES,ARY MNR101J 4-CP
RA107	06S45591W07	RES,ARY MNR101J 4-CP
RA108	06S45591W07	RES,ARY MNR101J 4-CP
RA109	06S45591W07	RES,ARY MNR101J 4-CP
RA110	06S45591W07	RES,ARY MNR101J 4-CP
RA111	06S45591W07	RES,ARY MNR101J 4-CP
RA112	06S45591W07	RES,ARY MNR101J 4-CP
RA113	06S45591W07	RES,ARY MNR101J 4-CP
RA115	06S45591W07	RES,ARY MNR101J 4-CP

RA116	06S45591W07	RES,ARY MNR101J 4-CP
RA117	06S45591W07	RES,ARY MNR101J 4-CP
RA201	06S45591W07	RES,ARY MNR101J 4-CP
RA202	06S45591W07	RES,ARY MNR101J 4-CP
RA203	06S45591W07	RES,ARY MNR101J 4-CP
XL102	91T35227Y01	XTL,CS10 16.9344M-E2

=====Miscellaneous

ANT001	01T03151K05	ASSY,ANTCABLE ISO35R
CB801	09T35473Y16	WTB,F169B001-16 -DB
CH401	09T03493K15	BTB,55323-1511 -B
CH511	01T02295K03	ASSY,UNIZON CONN 93R
CH803	01T75363Y02	ASSY,AMP LINK 9831A
CH831	01T25413Y01	ASSY,CONN 2P
DIN801	09T55071W11	CON,TCP9389-11 -DT
JK201	01T02234K03	ASSY,CONN NLT1661 (F/R)
JK601	09T03156K01	JAC,CK-3.5-14 -DB
LCD401	65T65155Y03	LCD,NTD-22231AAHDU
M802	59T03808K01	MOTOR,DF251R-12LC-07 (FAN MOTOR/12V-60mA)
M831	59T65085W01	MOTOR,LOAD FF-050SK (NOSE MOTOR/7V-370mA)
RCA201	01T35497Y37	ASSY,WIRE RCA 9833R (SUB-W)
SW201	40T45282W02	SW,SLIDE SLD-42-508X (Ai-NET(EQ/DIV)/NORM)
SW421	40T55277Y04	ENC,EC11E1544509 -B (ROTARY ENCODER/MODE)
SW501	40T45557Y01	SW,SLIDE SSAC120100 (X-OVER(F/R/Sub-W)/3WAY)
SW602	40T15494Y08	SW,DETCT SPVG11 -E6 (NOSE OPEN DET)
SW603	40T15494Y07	SW,DETCT SPVG21 -E6 (NOSE CLOSE DET)

=====DP23S27R

HD101	81B60955Y01	PICKUP,EP21A68L
M101	01V56100Y14	ASSY,MOTOR WORM 2BO (3.5V-80mA)
M102	01V56100Y12	ASSY,MOTOR SLED 2BO (3.5V-80mA)
M103	01V56100Y11	ASSY,MTR SPINDOL 2BO (3V-90mA)
SW1	40T15494Y01	SW,DETCT SPVG23 -E6 (12cm DISC DETECT (EJECT POSITION/RELOAD))
SW2	40T15494Y02	SW,DETCT SPVG13 -E6 (8/12cm DISC DETECT (INSERT/PULL OUT))
SW3	40T15494Y07	SW,DETCT SPVG21 -E6 (8cm DISC DETECT (EJECT POSITION/RELOAD))
SW4	40T15494Y01	SW,DETCT SPVG23 -E6 (DISC CHUCKING END DETECT)
SW105	40T71025F03	SW,DETCT SPPB120 (LIMIT)

Cabinet Assembly Parts List

NOTE : The part that has not PART NUMBER will not be supplied.

1	01V74800Y74	ASSY,NOSE UNIT 33RT
2	-----	COVER, TOP
3	-----	CHAS, BASE
4	14B04105K01	INS, MAIN(SWING)
5	13B03464K01	NOSE, BASE(CD) ASSY
6	03S60822Y12	SCR, S-T 2.6X6 ZN A
7	13D02363K01	NOSE, BASE COVER
8	03S60822Y22	SCR, S-T 2.6X14 ZN A
9	03T25225Y01	SCR, GND
10	33C04102K01	FACE, PLATE
11	07D00749K01	BKT, SIDE L
12	07D00749K02	BKT, SIDE R
13	-----	HEAT, SINK(SWING)
14	-----	HEAT, SINK(S)
15	03S60825Y04	SCR, B-T 3X8 ZN A
16	81D70427Y01	DP23S27R
17	-----	BKT, MECH(CD)
18	30T03013K10	SMCD22X95BDX6(BL)M
19	26A41622Y01	SHIELD, PLATE(CD)
21	36A04141K02	KNOB, SLIDE
22	09T84840F01	LUG, STYLE 18MM
24	15C03065K01	CASE, SHIELD(A)
25	15C03066K01	CASE, SHIELD(B)
26	14A03067K01	INSULATOR, TUNER
27	-----	BKT, CHAS REAR(SW)
28	-----	BKT, IC
29	14S31545Y16	INS, CVR 59X8XT0.1
30	14S31545Y17	INS, CVR 100X8XT0.1
31	09T84840F02	LUG, STYLE 32MM
33	15D01793K01	CASE, LCD ASSY
34	15B01794K01	COVER, LCD
35	26A01795K01	REFLECTOR, SHEET
36	75T03213K03	RUBBER, ELECTRIC
37	13D04078K05	NOSE, PIECE ASSY(H)
38	13D04103K01	NOSE, BOTTOM
39	03S68555F20	SCR, WAVE M1.7X5
40	41A04158K01	SPRING, KNOB
41	36B04099K01	KNOB, ROTARY ASSY
42	03S94385F77	SCR, NYLOK M1.7X3
43	03S60822Y10	SCR, S-T 2.6X5 ZN A
44	75T25010Y78	CUSHION, SHLD10-1-20
45	14S50096Y69	INS, CVR 40X17.5XT0.3
46	14S50096Y06	INS, CVR 10X5XT0.18V
100	07B02259K01	BKT, SLIDER
101	07A01754K01	BKT, ARM(L)
102	07A01754K02	BKT, ARM(R)
103	07A02260K02	BKT, BASE L
104	07C02261K02	BKT, BASE R
105	41A50048Y01	SPRING, WORM
106	44A02263K01	GEAR, ID
107	44A02262K01	GEAR, SLIDER
108	41A50060Y01	SPRING, SLIDE

CDA-9833R

109	01C01750K01	BKT,FRONT BASE ASSY
110	03A20851Y02	SCR,SLIDER
111	44-01037Z01	GEAR,CLUTCH ASSY
112	44A01840K01	GEAR,WORM
113	03S94385F13	SCR,NYLOK M2.6X3
114	03S60820Y06	SCR,MCH 2X3.5 ZNNA
115	03S68259F23	SCR,P-LOCK M2X3
116	04B41345P54	WASHER,LOCK
117	43A50493Y01	BUSH,SLIDER
118	41A50492Y01	SPRING,NOSE
119	75S40755Y50	CUS,RUB 18X4XT2XT2

CD Deck Mechanism Assembly Parts List

NOTE : The part that has not PART NUMBER will not be supplied.

1	01V31800Y79	ASSY,ARM GUIDE
2	27C11557Y02	CHASSIS, TOP
3	45B11564Y02	LEVER, LINK-TOP
4	45B11595Y02	LEVER DISC(R)
5	45B11596Y02	LEVER, DISC(L)
6	41B11613Y16	SPRING, PULL
7	15D50248Y02	GUIDE, TOP-DPS2
9	07C50608Y01	BKT, MOTOR LOAD-P
10	03S40014G07	SCR, MCH M2X4
11	44B11578Y02	GEAR, (A)
12	44B11579Y02	GEAR, (B)
13	44B11580Y02	GEAR, (C)
19	27D11602Y04	CHASSIS, PICKUP
20	47A11575Y01	SHAFT, PICK
21	01V28100Y59	ASSY, SHAFT. SCREW
22	44A70590W03	GEAR, MIDDLE
23	03S72235F96	SCR, MCH M1.7X3.5(SW)
24	07B30337Y02	BKT, SPRING NUT
25	41A11606Y02	SPRING NUT
26	03S94385F18	SCR, NYLOK M2X3.5
27	84T01803K01	PANEL, FPC CONT
28	41B11566Y02	SPRING, SHAFT
29	03S70494F13	SCR, P-TITE M2X6 BLK
30	-----	ASSY, RIV ARM CLAMP
31	-----	LEVER, LOCK
34	43A70141Y02	TABLE, CLAMPER
36	-----	SLIDER, DISC
37	45A11599Y02	LEVER, ACTUATOR
38	41B11613Y03	SPRING, PULL
39	41B11613Y05	SPRING, LEV-ACT
40	41A11609Y01	SPRING, LEVER
42	41B11613Y15	SPRING, PULL
43	41A11040Y02	SPRING, SLED-HOE
44	03S70494F52	SCR, P-TITE M1.4X4.5
45	43A21240Y01	SHEET, FPC PICK
46	-----	ASSY, RIV CHAS BASE
47	45B40510Y02	SLIDER, LOAD
48	44B40527Y02	RACK
49	45A11601Y02	LEVER, TRIGER
50	44B11581Y02	GEAR, (D)
51	45B11594Y02	SLIDER, LOCK(L)
52	45A11592Y02	ARM, LOCK(L2)
53	03A11574Y01	SCREW, LOCK
54	45B11591Y02	ARM, LOCK(L1)
55	07A50606Y01	BKT, MOTOR WIRE-P
56	45B11593Y02	SLIDER, LOCK(R)
57	45B11607Y02	ARM, LOCK(R)
58	45A11597Y02	LEVER, SW
59	41B11613Y04	SPRING, TRIGER
60	75C30466Y14	DAMPER, DPS2
61	41B11613Y06	SPRING, PULL
62	41B11613Y07	SPRING, PULL

CDA-9833R

63	41B11613Y08	SPRING,PULL
64	41A40518Y01	SPRING,ROL
65	41A31894Y02	SPRING,SLIDER
66	-----	BKT,SP-TOP
67	03A21791Y01	SCREW,M2X3.5 S-TITE
68	07B20905Y02	BKT,FPC CONT
69	30T15126W15	WIRE,PC JOINT 7P
72	41A21613Y02	SPRING,SPINDLE
74	14A21415Y02	INS,CVR
75	43A31443Y01	ROLLER,ARM DISC (C)
77	75C30466Y15	DAMPER,DPS2
78	41B11613Y14	SPLING,PULL
79	04B41345P52	WASH,1.6X3.5X0.25
82	44B40523Y02	GEAR,BASE
83	04A40528Y01	WASHER,FELT
84	44A40524Y02	GEAR,CLUTCH
85	41A40529Y01	SPRING,CLUTCH
86	44A40525Y02	GEAR,PINION
87	15A40526Y02	HOLDER,CLUTCH
88	43A41446Y02	SLEEVE,CLUTCH
89	04B41345P25	WASH,L. 3.1X6X0.35
90	03S44205G99	SCR,T-TITE M2X3
92	07A70119Y01	BKT,CLAMPER
93	41A70118Y01	SPG,LEVER
94	75A21286Y05	CUSHION,PWB